

P-14/P-17
ENFIELD RIFLE

★ RESTRICTED

ORDNANCE FIELD SERVICE

BASE SHOP DATA



U. S. Rifle, Cal. .30, M1917

PREPARED UNDER THE DIRECTION OF THE
CHIEF OF ORDNANCE

ROCK ISLAND ARSENAL - FEB., 1943

Ordnance Field Service Base Shop Data

U. S. Rifle, Cal. .30, M1917

LIST OF CONTENTS

List Of References

General Information

* Conversion List Of Tool Drawings

<u>Item</u>	<u>R.S.D. NO.</u>
Assembly - - - - -	2
Dismantling - - - - -	1

* Dissemination of restricted matter—The information contained in restricted documents and the essential characteristics of restricted material may be given to any person known to be in the service of the United States and to persons of undoubted loyalty and discretion who are cooperating in Government work, but will not be communicated to the public or to the press except by authorized military public relations agencies. (See also paragraph 10 b, AR 385-2, 25 September 1942.)

* Replaces List Of Contents, Issue of February 1943

★ RESTRICTED

ORDNANCE FIELD SERVICE

BASE SHOP DATA



U. S. Rifle, Cal. .30, M1917

PREPARED UNDER THE DIRECTION OF THE
CHIEF OF ORDNANCE

ROCK ISLAND ARSENAL - FEB., 1943

★ **Dissemination of restricted matter**—The information contained in restricted documents and the essential characteristics of restricted materiel may be given to any person known to be in the service of the United States and to persons of undoubted loyalty and discretion who are employed in Government work, but will not be communicated to the public or to the press except by authorized military public relations agencies. (See also paragraph 14 b, AR 300-3, 28 September 1942.)

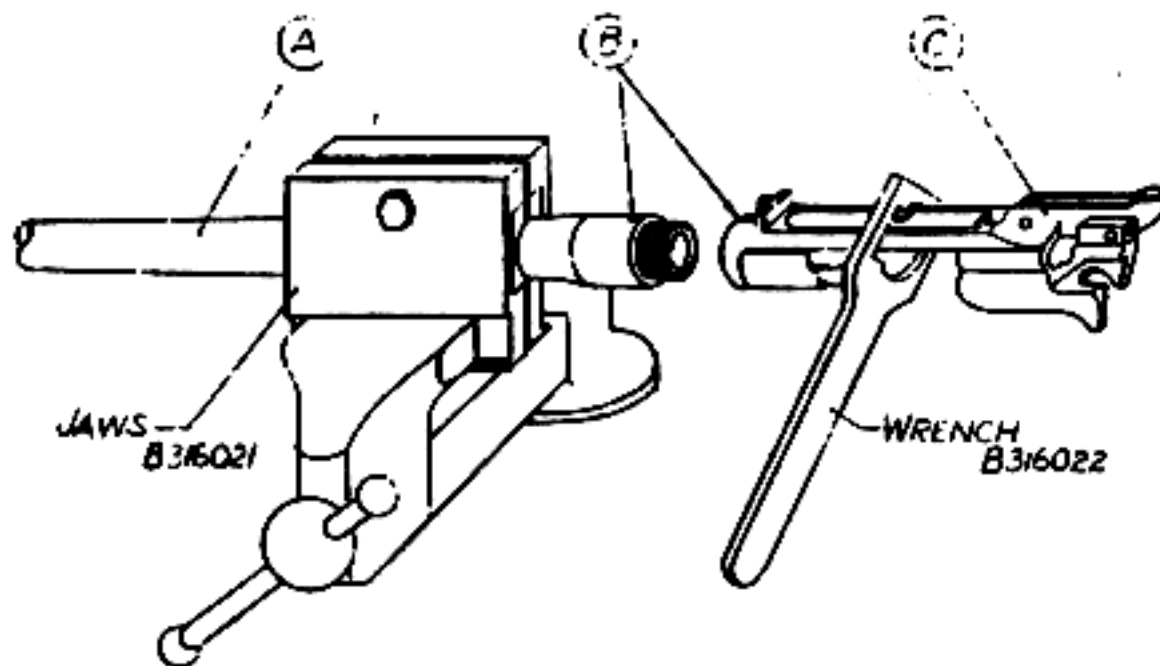
SMALL ARMS

USDIFLE
M19.7 CAL 30ASSEMBLING
USDIFLE M1917

SHEET

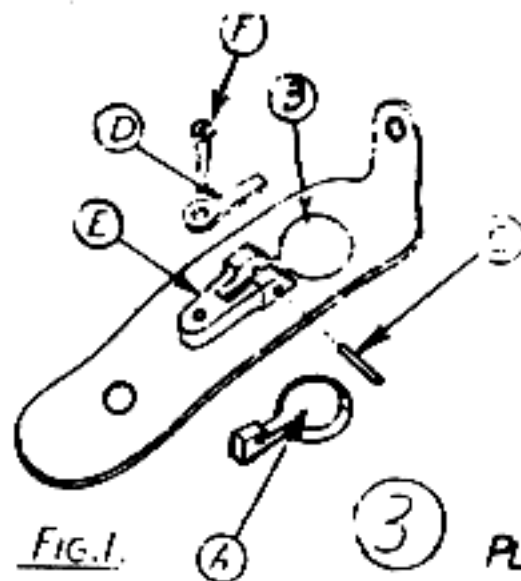
1

OF 14

RECEIVER AND BARREL

- ① IF RECEIVER (C) OR BARREL (A) IS FOUND UNSERVICEABLE, AS INDICATED IN PREVIOUS SECTION, UNSCREW THE RECEIVER FROM BARREL (RIGHT HAND THREAD) WITH THE AID OF SPECIAL TOOLS, JAWS B316021 AND WRENCH B316022, AND REPLACE WITH NEW OR SERVICEABLE PARTS. BEST RESULTS IN ASSEMBLING RECEIVER TO BARREL ARE OBTAINED BY SELECTING THE PROPER COMBINATION, SO IT REQUIRES APPROXIMATELY 1/4" DRAW TO HAVE THE REFERENCE OR DRAW LINES (B) COINCIDE.

USD-M1917-ASSEM 1(14)



2

INSERT THE BUTT-PLATE CAP (A) INTO THE SEAT (B), AND TAP IN THE BUTT-PLATE PIN (C). PLACE THE BUTT-PLATE SPRING (D) ON THE SHOULDER (E) AND LOCK INTO PLACE WITH THE BUTT-PLATE SPRING SCREW (F).

FIG. 1.

3

PLACE BUTT-SWIVEL PLATE (G) INTO POSITION AT (H) AND FASTEN INTO PLACE WITH THE TWO BUTT-SWIVEL SCREWS (J) AND (K).

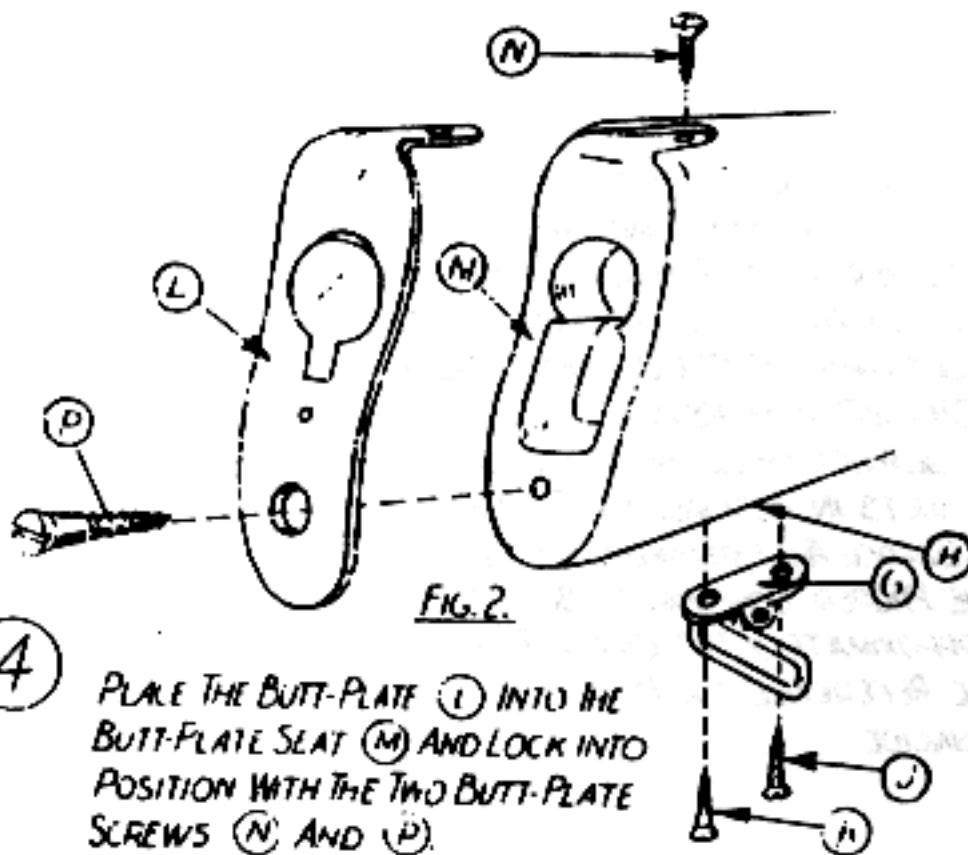


FIG. 2.

4

PLACE THE BUTT-PLATE (L) INTO THE BUTT-PLATE SLAT (M) AND LOCK INTO POSITION WITH THE TWO BUTT-PLATE SCREWS (N) AND (P).

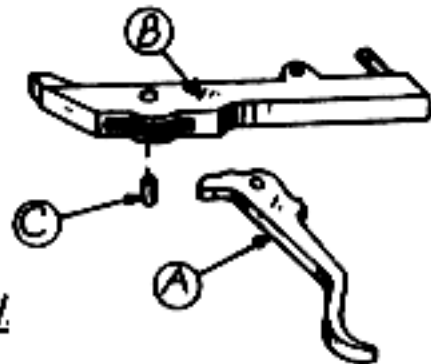


FIG. 1.

5 INSERT THE TRIGGER (A) INTO THE SEAR (B) AND TAP IN TRIGGER PIN (C).

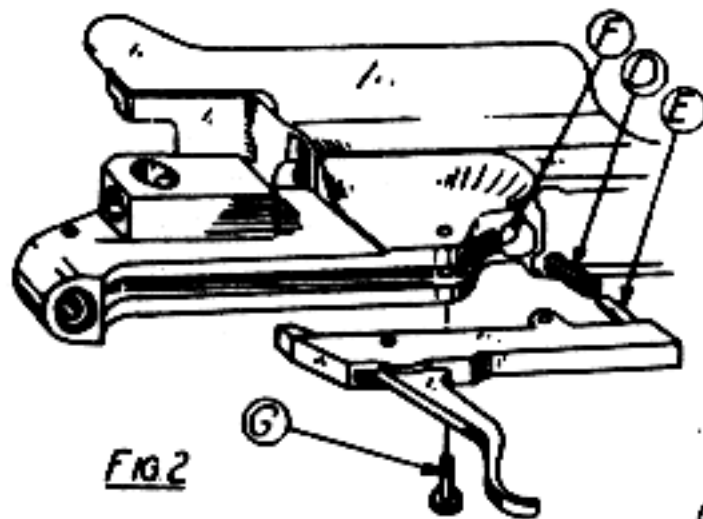


FIG. 2

6 PLACE THE SEAR SPRING (D) ON THE LUG (E) AND INSERT THE UNIT INTO THE HOUSING (F). LOCK THE UNIT INTO POSITION WITH THE SEAR PIN (G).

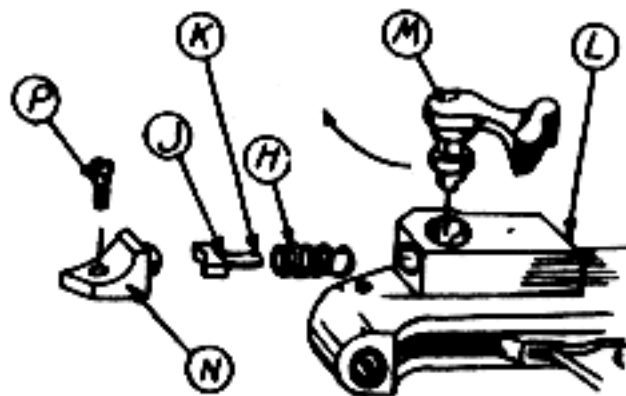


FIG. 3.

7 PLACE THE SAFETY LOCK SPRING (H) ON SAFETY LOCK PLUNGER (J) AND INSERT THE UNIT INTO THE HOUSING; PUSH WITH SCREWDROVER UNTIL END (K) IS PROTRUDING FROM END OF HOUSING AT POINT (L). HOLD END (K) WITH A PAIR OF PLIERS, THEN INSERT THE SAFETY LOCK (M) AS SHOWN IN FIG. 3, AND TURN IT CLOCKWISE A HALF TURN. PLACE THE SAFETY LOCK HOLDER (N) INTO POSITION AND FASTEN IT WITH SAFETY LOCK HOLDER SCREW (P).