

**TECHNICAL MANUAL  
MAINTENANCE INSTRUCTIONS  
UNIT MAINTENANCE  
M1078 SERIES, 2 1/2-TON, 4 X 4,  
LIGHT MEDIUM TACTICAL VEHICLES (LMTV)  
VOLUME NO. 4 OF 5**

MODEL	NSN	EIC	
TRK, CAR., LMTV, M1078 W/WN W/O WN	2320-01-360-1898 2320-01-354-3385	BHH BHD	<b>HOW TO USE THIS MANUAL PAGE iii</b>
TRK, VAN, LMTV, M1079 W/WN W/O WN	2320-01-360-1891 2320-01-354-3384	BHG BHE	<b>BODY AND CAB MAINTENANCE PAGE 16-1</b>
TRK, CHAS, LMTV, M1080	2320-01-353-9098	BHC	<b>11K SELF-RECOVERY WINCH MAINTENANCE PAGE 17-1</b>
TRK, CAR., LMTV, AIR DROP, M1081 W/WN W/O WN	2320-01-360-1899 2320-01-355-3064	BHJ BHF	<b>BODY, CHASSIS, AND ACCESSORY ITEMS MAINTENANCE PAGE 18-1</b>
			<b>HYDRAULIC SYSTEM MAINTENANCE PAGE 19-1</b>

DISTRIBUTION STATEMENT A. Approved for public release; distribution is unlimited.

**HEADQUARTERS, DEPARTMENTS OF THE ARMY AND THE AIR FORCE**

JUNE 1998



**WARNING SUMMARY****WARNING****EXHAUST GASES CAN KILL**

1. **DO NOT** operate your vehicle engine in an enclosed area.
2. **DO NOT** idle vehicle engine with cab windows closed.
3. **DO NOT** drive vehicle with inspection plates or covers removed.
4. **BE ALERT** at all times for exhaust odors.
5. **BE ALERT** for exhaust poisoning symptoms, they are:
  - Headache
  - Dizziness
  - Sleepiness
  - Loss of Muscular Control
6. **IF YOU SEE** another person with exhaust poisoning symptoms:
  - Remove person from area.
  - Expose to open air.
  - Keep person warm.
  - Do not permit person to move.
  - Administer cardiopulmonary resuscitation, if necessary.\*

\* For cardiopulmonary resuscitation, refer to FM 21-11.

**WARNING**

**Remove rings, bracelets, watches, necklaces, and any other jewelry before working around vehicle. Jewelry can catch on equipment and cause injury or short across electrical circuit and cause severe burns or electrical shock. Batteries can explode from a spark. Battery acid is harmful to skin and eyes. Always wear eye protection and rubber gloves when working with batteries.**

**WARNING**

**Battery acid (electrolyte) is extremely harmful. Always wear safety goggles and rubber gloves, and do not smoke when performing maintenance on batteries. Injury will result if acid contacts skin or eyes. Wear rubber apron to prevent clothing being damaged.**

**WARNING SUMMARY (CONT)**

**WARNING**

Adhesives, solvents, and sealing compounds can burn easily, can give off harmful vapors, and are harmful to skin and clothing. To avoid injury or death, keep away from open fire and use in a well-ventilated area. If adhesive, solvent, or sealing compound gets on skin or clothing, wash immediately with soap and water. Failure to comply may result in injury to personnel.

**WARNING**

- Dry Cleaning Solvent (P-D-680) is TOXIC and flammable. Wear protective goggles and gloves; use only in well ventilated area; avoid contact with skin, eyes, and clothes, and do not breathe vapors. Keep away from heat or flame. Never smoke when using solvent; the flashpoint for Type I Dry Cleaning Solvent is 100 degrees F (38 degrees C) and for Type II is 130 degrees F (50 degrees C). Failure to comply may result in serious injury or death to personnel.
- If personnel become dizzy while using Dry Cleaning Solvent, immediately get fresh air and medical help. If Dry Cleaning Solvent contacts skin or clothes, flush with cold water. If Dry Cleaning Solvent contacts eyes, immediately flush eyes with water and get immediate medical attention. Failure to comply may result in injury to personnel.

**WARNING**

Diesel fuel is flammable. If fuel is spilled, clean it up immediately. Failure to comply may result in serious injury or death to personnel.

**WARNING**

After Nuclear, Biological, or Chemical (NBC) exposure of vehicle, all air filters shall be handled with extreme caution. Unprotected personnel may experience serious injury or death if residual toxic agents or radioactive material are present. If vehicle is exposed to chemical or biological agents, servicing personnel shall wear protective mask, hood, protective overgarments, and chemical protective gloves and boots in accordance with FM-3-4. All contaminated air filters shall be placed in double-lined plastic bags and moved swiftly to a segregation area away from the worksite. The same procedure applies for radioactive dust contamination. The Company NBC team should measure radiation prior to filter removal to determine extent of safety procedures required per the NBC Annex to the unit Standard Operating Procedures (SOP). The segregation area in which the contaminated air filters are temporarily stored shall be marked with appropriate NBC placards. Final disposal of contaminated air filters shall be in accordance with local SOP. Decontamination operation shall be in accordance with FM-3-5 and local SOP. Failure to comply may result in serious injury or death to personnel.

**WARNING**

Diesel fuel is flammable. Do not fill fuel tank with engine running, while smoking, or when near an open flame. Never overfill the tank or spill fuel. If fuel is spilled, clean it up immediately. Failure to comply may result in serious injury or death to personnel.

**WARNING**

Adhesive sealant MIL-S-46163 can damage your eyes. Wear safety goggles/glasses when using; avoid contact with eyes. If sealant contacts eyes, flush eyes with water and get immediate medical attention. Failure to comply may result in injury to personnel.

**WARNING**

Use care when removing/installing springs. Springs are under tension and can act as projectiles when being removed. Failure to comply can cause injury to personnel.

**WARNING**

Retaining rings are under tension and can act as projectiles when released causing severe eye injury. Use care when removing retaining rings. Failure to comply may result in injury to personnel.

**WARNING**

Ensure exhaust system is cool before performing maintenance. Failure to comply may result in injury to personnel.

**WARNING**

Wear appropriate eye protection when working under vehicle due to the possibility of falling debris. Failure to comply may result in injury to personnel.

**WARNING**

Do not operate LMTV vehicle with muffler removed. Toxic exhaust fumes may enter cab, resulting in serious injury or death to personnel.

**WARNING**

Do not work on fuel system when engine is hot; fuel can be ignited by a hot engine.

**WARNING SUMMARY (CONT)**

**WARNING**

Post signs that read "NO SMOKING WITHIN 50 FEET" when working with open fuel, fuel lines or fuel tanks. Failure to comply may result in injury to personnel or damage to equipment.

**WARNING**

Exhaust pipe, transmission oil lines, and transmission scavenge pump hose may be hot to the touch. Extreme care should be taken when checking exhaust pipe, transmission oil lines, and transmission scavenge pump hose for leaks. Failure to comply may result in injury to personnel.

**WARNING**

Compressed air used for cleaning purposes will not exceed 30 psi (207 Kpa). Use only with effective chip guarding and personal protective equipment (goggles/shield, gloves, etc). Failure to comply may result in injury to personnel.

**WARNING**

Wheel drum weighs approximately 90 lb (41 Kg). Use the aid of an assistant to help remove wheel drum. Failure to comply may result in injury to personnel.

**WARNING**

Wheel drum weighs approximately 90 lb (41 kg). Use the aid of an assistant to help install wheel drum. Failure to comply may result in injury to personnel.

**WARNING**

Brake shoes may be covered with dust. Breathing this dust may be harmful to your health. Do not use compressed air to clean brake shoes. Wear a filter mask approved for use against brake dust. Failure to comply may result in injury to personnel.

**WARNING**

Cage spring brake before air chamber is removed or severe injury to personnel will occur.

**WARNING**

Ensure air chamber is caged prior to installation. Failure to comply may result in injury to personnel.

**WARNING**

Ensure that tire is totally deflated before removing self-locking nuts. Failure to comply may result in serious injury or death to personnel.

**WARNING**

Spring brakes must be caged before attempting replacement of a rear axle wheel stud. Failure to comply may result in severe injury to personnel.

**WARNING**

Wear protective goggles to protect against possible injury from release of high pressure air. Failure to comply may result in injury to personnel.

**WARNING**

Prolonged contact with lubricating oil (MIL-L-2104) may cause a skin rash. Skin and clothing that come in contact with lubricating oil should be thoroughly washed immediately. Saturated clothing should be removed immediately. Areas in which lubricating oil is used should be well ventilated to keep fumes to a minimum. Failure to comply may result in injury to personnel.

**WARNING**

Hydraulic fluid (MIL-H-5606) is TOXIC. Wear protective goggles and gloves; use only in well ventilated area; avoid contact with skin, eyes, and clothes. Skin and clothing that come in contact with hydraulic oil should be washed immediately. Saturated clothing should be removed immediately. Failure to comply may result in injury to personnel.

**WARNING**

Wire rope can become frayed or contain broken wires. Wear heavy leather-palmed gloves when handling wire rope. Frayed or broken wires can injure hands. Failure to comply may result in injury to personnel.

**WARNING**

Never let moving wire rope slide through hands, even when wearing gloves. A broken wire could cut through gloves and cut hands.

**WARNING SUMMARY (CONT)**

**WARNING**

**Wear appropriate eye protection when removing rivets. Failure to comply may result in injury to personnel.**

**WARNING**

**Wear appropriate eye protection when drilling holes. Failure to comply may result in injury to personnel.**

**WARNING**

**Wear leather gloves at all times when handling winch cable. Do not allow cable to slide through hands even with gloves on. Broken wires may cause injury to personnel.**

**WARNING**

**Use extreme caution when working around moving cable. Failure to do so may result in serious injury to personnel.**

**WARNING**

**Caution must be exercised while cab is raised. Ensure that locking mechanism is functioning properly before proceeding. Failure to comply may result in death or serious injury to personnel and damage to equipment.**

**WARNING**

**Diesel fuel is flammable. Arctic heater components and fuel lines may contain small amounts of fuel. If fuel is spilled, clean up immediately. Failure to comply may result in serious injury or death to personnel.**

**WARNING**

**Coolant may be very hot and under pressure from engine operation. Ensure engine is cool before performing maintenance. Failure to comply may result in injury to personnel.**

**WARNING**

**Do not remove oil filter while engine is hot. Failure to comply may result in injury to personnel.**



**WARNING**

Sling spreader weighs approximately 200 lbs (91 kgs). Attach a suitable lifting device prior to removal. Failure to comply may result in injury to personnel or damage to equipment.

**WARNING**

Remove all loose equipment from van body. Failure to comply may result in injury to personnel or damage to equipment.

**WARNING**

Van body weighs approximately 3,360 lbs (1525 kgs) empty. Attach a suitable lifting device prior to removal. Failure to comply may result in serious injury or death to personnel.

**WARNING**

Guide ropes must be attached at opposite corners of van body to aid in controlling van body during removal. Failure to comply may result in serious injury or death to personnel.

**WARNING**

Center of gravity will change depending on equipment installed in van body. Attach and adjust lifting device so that van body lifts level. Failure to comply may result in serious injury or death to personnel or damage to equipment.

**WARNING**

Pod frame weighs approximately 80 lbs (36 kgs). Attach a suitable lifting device prior to removal. Failure to comply may result in injury to personnel or damage to equipment.

**WARNING**

Do not install pod frame on van body for 72 hours after installing blind rivet nuts and spacers. Failure to comply may result in injury to personnel and/or damage to equipment.

**WARNING**

Goggles and gloves must be worn when working with glass. Failure to comply may result in injury to personnel.

**WARNING SUMMARY (CONT)**

**WARNING**

RH door assembly weighs approximately 85 lbs (39 kgs). Attach a suitable lifting device prior to removal. Failure to comply may result in injury to personnel or damage to equipment.

**WARNING**

LH door assembly weighs approximately 85 lbs (39 kgs). Attach a suitable lifting device prior to removal. Failure to comply may result in injury to personnel or damage to equipment.

**WARNING**

Wear appropriate eye protection when handling fluorescent lamps. Failure to comply may result in injury to personnel.

**WARNING**

- Heavy objects/loads, such as tool boxes and heavy parts, must always be carried on the floor with the weight distributed as equally as possible between left and right sides of M1079 van. Failure to comply decreases the stability of the M1079 van and will increase the likelihood of a rollover.
- Heavy cabinets must always be mounted as low as possible with the weight distributed as equally as possible between left and right sides of M1079 van. Remember to consider the weight of the items that will be stored in the cabinets. Failure to comply decreases the stability of the M1079 van and will increase the likelihood of a rollover.
- Always keep in mind, when placing items inside the M1079 van, that heavier items must always be positioned as low as possible and the weight distributed as equally as possible between left and right sides of M1079 van. Failure to comply decreases the stability of the M1079 van and will increase the likelihood of a rollover.

**WARNING**

Diesel fuel is flammable. Arctic heater components and fuel hoses may contain small amounts of fuel. If fuel is spilled, clean it up immediately. Failure to comply may result in serious injury or death to personnel.

**WARNING**

Extreme care must be taken when lowering gravel deflector. Coolant hoses could be pulled loose. Failure to comply could result in serious eye injury.

**WARNING**

- Do not open coolant fill cap if temperature reads above 110°F (43°C). Steam or hot coolant is under pressure. Failure to comply may result in injury to personnel.
- Pressure in reservoir tank must be released before removing cap. Failure to comply may result in injury to personnel.

**WARNING**

Heater weighs approximately 120 lbs (54 kgs). Use the aid of an assistant when lifting. Failure to comply may result in injury to personnel.

**WARNING**

200 amp alternator weighs approximately 70 lbs (32 kgs). The aid of an assistant is required to install 200 amp alternator. Failure to comply may result in injury to personnel.

**WARNING**

Light Material Handling Crane (LMHC) mast weighs approximately 110 lbs (50 kgs). Attach a suitable lifting device prior to installation. Failure to comply may result in injury to personnel or damage to equipment.

**WARNING**

Light Material Handling Crane (LMHC) boom assembly weighs approximately 150 lbs (68 kgs). Use an assistant when removing LMHC boom assembly. Failure to comply may result in injury to personnel.

**WARNING SUMMARY (CONT)**

**WARNING**

Light Material Handling Crane (LMHC) boom weighs approximately 60 lbs (27 kgs). Attach a suitable lifting device prior to removal. Failure to comply may result in injury to personnel or damage to equipment.

**WARNING**

Light Material Handling Crane (LMHC) weighs approximately 250 lbs (114 kgs). Attach a suitable lifting device prior to removal. Failure to comply may result in injury to personnel.

**WARNING**

Use care when removing/installing springs. Springs are under tension and can act as projectiles when released. Failure to comply may result in injury to personnel.

**WARNING**

Air conditioner weighs approximately 300 lbs (136 kg). Attach a suitable lifting device prior to installation. Failure to comply may result in injury to personnel.

**WARNING**

Ensure cargo bed is free of equipment and debris, and is not warped or damaged in any way. Failure to comply may result in serious injury or death to personnel or damage to equipment.

**WARNING**

S-280 shelter weighs approximately 1500 lbs (680 kgs) empty. Attach a suitable lifting device prior to installation. Failure to comply may result in serious injury or death to personnel or damage to equipment.

HEADQUARTERS  
DEPARTMENTS OF THE ARMY  
AND THE AIR FORCE

Washington, D.C., 1 July 2003

CHANGE  
NO. 1

TECHNICAL MANUAL  
MAINTENANCE INSTRUCTIONS  
UNIT MAINTENANCE  
M1078 SERIES, 2 1/2-TON, 4x4,  
LIGHT MEDIUM TACTICAL VEHICLE  
(LMTV)

VOLUME NO. 4 OF 5

TM 9-2320-365-20-4, 17 June 1998, is changed as follows:

1. Remove old pages and insert new pages as indicated below.
2. New or changed material is indicated by a vertical bar in the out margin of the page.
3. Added or revised illustrations are indicated by a vertical bar adjacent to the illustration.

Remove Pages	Insert Pages	Remove Pages	Insert Pages
i and j	i and j	16-415 and 16-416	16-415 and 16-416
none	A and B	none	16-487 thru 16-497/(16-498 Blank)
i thru iv	i thru iv	17-1 and 17-2	17-1 and 17-2
none	v/(vi Blank)	17-7 thru 17-10	17-7 thru 17-10
16-1 thru 16-4	16-1 thru 16-4	17-13 and 17-14	17-13 and 17-14
none	16-4.1/(16-4.2 Blank)	17-27 and 17-28	17-27 and 17-28
16-5 thru 16-12	16-5 thru 16-12	18-1 and 18-2	18-1 and 18-2
none	16-12.1/(16-12.2 Blank)	18-5 thru 18-8	18-5 thru 18-8
16-15 thru 16-18	16-15 thru 16-18	18-29 thru 18-32	18-29 thru 18-32
16-21 thru 16-26	16-21 thru 16-26	18-51 and 18-52	18-51 and 18-52
16-31 and 16-32	16-31 and 16-32	18-55 thru 18-58	18-55 thru 18-58
16-37 thru 16-40	16-37 thru 16-40	18-67 and 18-68	18-67 and 18-68
none	16-40.1/(16-40.2 Blank)	19-1 and 19-2	19-1 and 19-2
16-41 and 16-42	16-41 and 16-42	19-5 thru 19-8	19-5 thru 19-8
none	16-42.1/(16-42.2 Blank)	none	19-8.1 thru 19-8.10
16-43 thru 16-62	16-43 thru 16-62	19-9 thru 19-20	19-9 thru 19-20
none	16-62.1/(16-62.2 Blank)	none	19-20.1 thru 19-20.14
16-63 thru 16-82	16-63 thru 16-82	19-21 thru 19-26	19-21 thru 19-26
none	16-96.1 and 16-96.2	19-47 and 19-48	19-47 and 19-48
16-97 and 16-98	16-97 and 16-98	19-51 thru 19-58	19-51 thru 19-58
16-105 thru 16-110	16-105 thru 16-110	A-1 thru A-4	A-1 thru A-4
none	16-110.1 and 16-110.2	B-13 thru B-20	B-13 thru B-19/(B-20 Blank)
16-111 and 16-112	16-111 and 16-112	C-3 and C-4	C-3 and C-4
16-115 thru 16-120	16-115 thru 16-120	D-1 thru D-5/(D-6 Blank)	D-1 thru D-6
16-127 thru 16-130	16-127 thru 16-130	E-3 and E-4	E-3 and E-4
16-133 and 16-134	16-133 and 16-134	none	E-21 and E-22
16-139 and 16-140	16-139 and 16-140	G-1 thru G-10	G-1 thru G-10
16-143 thru 16-152	16-143 thru 16-152	none	G-11/(G-12 Blank)
16-159 and 16-160	16-159 and 16-160	H-1 thru H-8	H-1 thru H-8
16-177 thru 16-180	16-177 thru 16-180	H-17 thru H-21/ (H-22 Blank)	H-17 thru H-21/ (H-22 Blank)
16-211 and 16-212	16-211 and 16-212	none	K-1 thru K-4
16-289 thru 16-302	16-289 thru 16-302		
16-393 thru 16-396	16-393 thru 16-396		

Place this change sheet in the front of the publication for reference purposes.

Remove Pages

INDEX-1 thru INDEX-7/  
(INDEX-8 Blank)  
DA Form 2028-2 Sample  
DA Form 2028-2  
DA Form 2028-2  
DA Form 2028-2  
FO-1 FP-1/(FP-2 Blank)  
thru FP-19/(FP-20 Blank)  
FO-1 FP-23/(FP-24 Blank)  
FO-1 FP-27/(FP-28 Blank)  
thru FP-61/(FP-62 Blank)  
FO-1 FP-65/(FP-66 Blank)  
and FP-67/(FP-68 Blank)  
Metric Conversion Chart  
Cover

Insert Pages

INDEX-1 thru INDEX-7/  
(INDEX-8 Blank)  
DA Form 2028 Sample  
DA Form 2028  
DA Form 2028  
DA Form 2028  
FO-1 FP-1/(FP-2 Blank)  
thru FP-19/(FP-20 Blank)  
FO-1 FP-23/(FP-24 Blank)  
FO-1 FP-27/(FP-28 Blank)  
thru FP-61/(FP-62 Blank)  
FO-1 FP-65/(FP-66 Blank)  
and FP-67/(FP-68 Blank)  
Metric Conversion Chart  
Cover

Remove Pages

Insert Pages

Place this change sheet in the front of the publication for reference purposes.

By Order of the Secretary of the Army:

Official:



JOEL B. HUDSON

*Administrative Assistant to the  
Secretary of the Army*

0110105

JOHN M. KEANE  
*General, United States Army  
Acting Chief of Staff*

DISTRIBUTION: To be distributed in accordance with the initial distribution number  
(IDN) 380934, requirements for TM 9-2320-365-20-4





**LIST OF EFFECTIVE PAGES**

Insert latest changed pages. Destroy superseded pages.

NOTE: New or changed material is indicated by a vertical bar in the outer margin of the page.

Dates of issue for original and changed pages are:

Original..... 0.....17 June 1998  
 Change..... 1.....1 July 2003

THE TOTAL NUMBER OF PAGES IN THIS PUBLICATION IS 926, CONSISTING OF THE FOLLOWING:

Page No.	*Change No.	Page No.	*Change No.	Page No.	*Change No.
Cover.....	1	16-60 thru 16-62.....	1	16-416.....	1
Blank.....	0	16-62.1 Added.....	1	16-417 thru 16-486.....	0
a thru h.....	0	16-62.2 Blank Added.....	1	16-487 thru 16-497 Added.....	1
i.....	1	16-63 thru 16-73.....	1	16-498 Blank Added.....	1
j.....	0	16-74.....	0	17-1.....	1
A and B Added.....	1	16-75 thru 16-78.....	1	17-2 thru 17-6.....	0
i thru iv.....	1	16-79.....	0	17-7 thru 17-9.....	1
v Added.....	1	16-80.....	1	17-10 thru 17-12.....	0
vi Blank Added.....	1	16-81.....	0	17-13 and 17-14.....	1
16-1 thru 16-4.....	1	16-82.....	1	17-15 thru 17-27.....	0
16-4.1 Added.....	1	16-83 thru 16-96.....	0	17-28.....	1
16-4.2 Blank Added.....	1	16-96.1 and 16-96.2 Added.....	1	17-29 and 17-30.....	0
16-5.....	1	16-97.....	1	18-1.....	1
16-6 and 16-7.....	0	16-98 thru 16-104.....	0	18-2 thru 18-5.....	0
16-8.....	1	16-105 thru 16-110.....	1	18-6 thru 18-8.....	1
16-9.....	0	16-110.1 and 16-110.2 Added.....	1	18-9 thru 18-29.....	0
16-10 thru 16-12.....	1	16-111.....	1	18-30.....	1
16-12.1 Added.....	1	16-112 thru 16-115.....	0	18-31.....	0
16-12.2 Blank Added.....	1	16-116 thru 16-119.....	1	18-32.....	1
16-13 thru 16-15.....	0	16-120 thru 16-127.....	0	18-33 thru 18-50.....	0
16-16.....	1	16-128 and 16-129.....	1	18-51.....	1
16-17.....	0	16-130 thru 16-132.....	0	18-52 thru 18-55.....	0
16-18.....	1	16-133.....	1	18-56 and 18-57.....	1
16-19 thru 16-21.....	0	16-134 thru 16-139.....	0	18-58 thru 18-67.....	0
16-22.....	1	16-140.....	1	18-68.....	1
16-23.....	0	16-141 thru 16-143.....	0	18-69.....	0
16-24 and 16-25.....	1	16-144 thru 16-150.....	1	18-70 Blank.....	0
16-26 thru 16-30.....	0	16-151.....	0	19-1.....	1
16-31 and 16-32.....	1	16-152.....	1	19-2 thru 19-4.....	0
16-33 thru 16-37.....	0	16-153 thru 16-158.....	0	19-5 thru 19-8.....	1
16-38 and 16-39.....	1	16-159.....	1	19-8.1 thru 19-8.10 Added.....	1
16-40.....	0	16-160 thru 16-177.....	0	19-9 thru 19-20.....	1
16-40.1 Added.....	1	16-178 thru 16-180.....	1	19-20.1 thru 19-20.14 Added.....	1
16-40.2 Blank Added.....	1	16-181 thru 16-211.....	0	19-21.....	1
16-41.....	1	16-212.....	1	19-22 and 19-23.....	0
16-42.....	0	16-213 thru 16-289.....	0	19-24 and 19-25.....	1
16-42.1 Added.....	1	16-290 thru 16-302.....	1	19-26 thru 19-46.....	0
16-42.2 Blank Added.....	1	16-303 thru 16-392.....	0	19-47.....	1
16-43 thru 16-57.....	1	16-393 thru 16-395.....	1	19-48 thru 19-51.....	0
16-58 and 16-59.....	0	16-396 thru 16-415.....	0	19-52.....	1

\* Zero in this column indicates an original page.

**LIST OF EFFECTIVE PAGES (CONT)**

Insert latest changed pages. Destroy superseded pages.

Page No.	*Change No.	Page No.	*Change No.	Page No.	*Change No.
19-53.....	0	FO-1 FP-14 Blank.....	0	FO-1 FP-64 Blank .....	0
19-54 thru 19-58.....	1	FO-1 FP-15 .....	1	FO-1 FP-65.....	1
19-59 thru 19-64.....	0	FO-1 FP-16 Blank.....	0	FO-1 FP-66 Blank .....	0
A-1 .....	0	FO-1 FP-17 .....	1	FO-1 FP-67.....	1
A-2 and A-3.....	1	FO-1 FP-18 Blank.....	0	FO-1 FP-68 Blank .....	0
A-4 .....	0	FO-1 FP-19 .....	1	FO-2 FP-1.....	0
B-1 thru B-13.....	0	FO-1 FP-20 Blank.....	0	FO-2 FP-2 Blank .....	0
B-14 thru B-19.....	1	FO-1 FP-21 .....	0	FO-2 FP-3.....	0
B-20 Blank .....	1	FO-1 FP-22 Blank.....	0	FO-2 FP-4 Blank .....	0
C-1 and C-2.....	0	FO-1 FP-23 .....	1	FO-2 FP-5.....	0
C-3 and C-4.....	1	FO-1 FP-24 Blank.....	0	FO-2 FP-6 Blank .....	0
D-1 thru D-6 .....	1	FO-1 FP-25 .....	0	FO-2 FP-7.....	0
E-1 and E-2.....	0	FO-1 FP-26 Blank.....	0	FO-2 FP-8 Blank .....	0
E-3 and E-4.....	1	FO-1 FP-27 .....	1	FO-3 FP-1.....	0
E-5 thru E-20.....	0	FO-1 FP-28 Blank.....	0	FO-3 FP-2 Blank .....	0
E-21 and E-22 Added .....	1	FO-1 FP-29 .....	1	FO-3 FP-3.....	0
F-1 thru F-8 .....	0	FO-1 FP-30 Blank.....	0	FO-3 FP-4 Blank .....	0
G-1 thru G-10.....	1	FO-1 FP-31 .....	1	FO-3 FP-5.....	0
G-11 Added.....	1	FO-1 FP-32 Blank.....	0	FO-3 FP-6 Blank .....	0
G-12 Blank Added .....	1	FO-1 FP-33 .....	1	FO-4 FP-1.....	0
H-1 .....	0	FO-1 FP-34 Blank.....	0	FO-4 FP-2 Blank .....	0
H-2 and H-3.....	1	FO-1 FP-35 .....	1	FO-4 FP-3.....	0
H-4.....	0	FO-1 FP-36 Blank.....	0	FO-4 FP-4 Blank .....	0
H-5.....	1	FO-1 FP-37 .....	1	FO-5 FP-1.....	0
H-6 and H-7.....	0	FO-1 FP-38 Blank.....	0	FO-5 FP-2 Blank .....	0
H-8.....	1	FO-1 FP-39 .....	1	FO-5 FP-3.....	0
H-9 thru H-17 .....	0	FO-1 FP-40 Blank.....	0	FO-5 FP-4 Blank .....	0
H-18 and H-19.....	1	FO-1 FP-41 .....	1	FO-5 FP-5.....	0
H-20.....	0	FO-1 FP-42 Blank.....	0	FO-5 FP-6 Blank .....	0
H-21 .....	1	FO-1 FP-43 .....	1		
H-22 Blank .....	0	FO-1 FP-44 Blank.....	0		
J-1.....	0	FO-1 FP-45 .....	1		
J-2 Blank .....	0	FO-1 FP-46 Blank.....	0		
K-1 thru K-4 Added.....	1	FO-1 FP-47 .....	1		
INDEX-1 thru INDEX-7 .....	1	FO-1 FP-48 Blank.....	0		
INDEX-8 Blank .....	0	FO-1 FP-49 .....	1		
Glossary-1 and Glossary-2 .....	0	FO-1 FP-50 Blank.....	0		
FO-1 FP-1 .....	1	FO-1 FP-51 .....	1		
FO-1 FP-2 Blank .....	0	FO-1 FP-52 Blank.....	0		
FO-1 FP-3.....	1	FO-1 FP-53 .....	1		
FO-1 FP-4 Blank .....	0	FO-1 FP-54 Blank.....	0		
FO-1 FP-5.....	1	FO-1 FP-55 .....	1		
FO-1 FP-6 Blank .....	0	FO-1 FP-56 Blank.....	0		
FO-1 FP-7 .....	1	FO-1 FP-57 .....	1		
FO-1 FP-8 Blank .....	0	FO-1 FP-58 Blank.....	0		
FO-1 FP-9.....	1	FO-1 FP-59 .....	1		
FO-1 FP-10 Blank .....	0	FO-1 FP-60 Blank.....	0		
FO-1 FP-11 .....	1	FO-1 FP-61 .....	1		
FO-1 FP-12 Blank .....	0	FO-1 FP-62 Blank.....	0		
FO-1 FP-13.....	1	FO-1 FP-63 .....	0		

\* Zero in this column indicates an original page.

TECHNICAL MANUAL  
 NO. 9-2320-365-20-4

HEADQUARTERS  
 DEPARTMENTS OF THE ARMY  
 AND THE AIR FORCE

TECHNICAL ORDER  
 NO. 36A12-1B-1095-2-4

Washington, D.C., 17 June 1998

**Unit Maintenance Manual  
 M1078 SERIES, 2 1/2-TON, 4 x 4,  
 LIGHT MEDIUM TACTICAL VEHICLES (LMTV)  
 VOLUME NO. 4 OF 5**

MODEL	NSN	EIC
TRK, CAR., LMTV, M1078 W/WN W/O WN	2320-01-360-1898 2320-01-354-3385	BHH BHD
TRK, VAN, LMTV, M1079 W/WN W/O WN	2320-01-360-1891 2320-01-354-3384	BHG BHE
TRK, CHAS, LMTV, M1080	2320-01-353-9098	BHC
TRK, CAR., LMTV, AIR DROP, M1081 W/WN W/O WN	2320-01-360-1899 2320-01-355-3064	BHJ BHF

**REPORTING ERRORS AND RECOMMENDING IMPROVEMENTS**

You can help improve this publication. If you find any mistakes or if you know of a way to improve the procedures, please let us know. Submit your DA Form 2028 (Recommended Changes to Equipment Technical Publications), through the Internet, on the Army Electronic Product Support (AEPS) website. The Internet address is <http://aeps.ria.army.mil>. If you need a password, scroll down and click on "ACCESS REQUEST FORM". The DA Form 2028 is located in the ONLINE FORMS PROCESSING section of the AEPS. Fill out the form and click on SUBMIT. Using this form on the AEPS will enable us to respond quicker to your comments and better manage the DA Form 2028 program. You may also mail, fax or Email your letter or DA Form 2028 direct to: AMSTA-LC-CI/TECH PUBS, TACOM-RI, 1 Rock Island Arsenal, Rock Island, IL 61299-7630. The email address is [TACOM-TECH-PUBS@ria.army.mil](mailto:TACOM-TECH-PUBS@ria.army.mil). The fax number is DSN 793-0726 or Commercial (309) 782-0726.

DISTRIBUTION STATEMENT A. Approved for public release; distribution is unlimited.

**TABLE OF CONTENTS**

	Page
<b>HOW TO USE THIS MANUAL</b> .....	ii
<b>CHAPTER 16 BODY AND CAB MAINTENANCE</b> .....	16-1
Section I Introduction .....	16-1
Section II Maintenance Procedures .....	16-2

TABLE OF CONTENTS (CONT)

	Page
<b>CHAPTER 17 SELF-RECOVERY WINCH MAINTENANCE</b>	17-1
Section I Introduction	17-2
Section II Maintenance Procedures	17-3
<b>CHAPTER 18 BODY, CHASSIS, AND ACCESSORY ITEMS MAINTENANCE</b>	18-1
Section I Introduction	18-1
Section II Maintenance Procedures	18-2
<b>CHAPTER 19 HYDRAULIC SYSTEM MAINTENANCE</b>	19-1
Section I Introduction	19-1
Section II Maintenance Procedures	19-2
<b>APPENDIXES</b>	
A. REFERENCES	A-1
B. MAINTENANCE ALLOCATION CHART	B-1
C. TOOLS IDENTIFICATION LIST	C-1
D. EXPENDABLE/DURABLE SUPPLIES AND MATERIALS LIST	D-1
E. ILLUSTRATED LIST OF MANUFACTURED ITEMS	E-1
F. TORQUE LIMITS	F-1
G. MANDATORY REPLACEMENT PARTS	G-1
H. LUBRICATION ORDER	H-1
J. ADDITIONAL AUTHORIZATION LIST (AAL)	J-1
K. TRANSMISSION/TRANSMISSION CONTROLS ADAPTABILITY CHART	K-1
<b>SUBJECT INDEX</b>	Index-1
<b>GLOSSARY</b>	Glossary-1

LIST OF ILLUSTRATIONS

Figure No.	Figure Title	Page
16-1.	M1079 Van Body Interior Accessory Mounting Hardpoints (Serial Numbers 001 through 190)	16-260
16-2.	M1079 Van Body Interior Accessory Mounting Hardpoints (Serial Numbers 191 and Higher)	16-261
16-3.	M1079 Van Body Interior Accessory Mounting Hardpoints	16-262
16-4.	M1079 Van Body Interior Accessory Mounting Hardpoints	16-263
16-5.	M1079 Van Body Interior Accessory Mounting Hardpoints (Serial Numbers 001 through 190)	16-265
16-6.	M1079 Van Body Interior Accessory Mounting Hardpoints (Serial Numbers 191 and Higher)	16-266
17-1.	11K Self-Recovery Winch (SRW) Hydraulic Hose Locations	17-29

**LIST OF ILLUSTRATIONS (CONT)**

<b>Figure No.</b>	<b>Figure Title</b>	<b>Page</b>
19-1.	Hydraulic Manifold PN HFC 32598 Rear View . . . . .	19-11
19-1.1.	Hydraulic Manifold PN 65234 Rear View . . . . .	19-12
19-1.2.	Air Transportability Hydraulic Hose Locations . . . . .	19-54
23-1.	Primary Air Supply Hose Locations . . . . .	23-3
23-2.	Central Tire Inflation System (CTIS) Air Hose Locations . . . . .	23-5
23-3.	Air Transportability Air Hose Locations . . . . .	23-9
E-1.	Brake Adjusting Tool Support . . . . .	E-4
E-2.	Brake Plunger Seal Driver . . . . .	E-5
E-3.	Cab Support Tool Strut and Cab Rest . . . . .	E-6
E-4.	Cab Support Tool Seat . . . . .	E-7
E-5.	Cab Support Tool Seat Layout . . . . .	E-8
E-6.	Cab Support Tool Assembly . . . . .	E-9
E-7.	Headlight Adjustment Screen . . . . .	E-10
E-8.	Lanyard Assembly . . . . .	E-17
E-9.	CTIS Seal Driver . . . . .	E-19
E-10.	Wheel Hub Grease Seal Driver . . . . .	E-20
E-11.	Purge Valve Tool . . . . .	E-22

**LIST OF TABLES**

<b>Table No.</b>	<b>Table Title</b>	<b>Page</b>
16-1.	M1079 Van Body Accessory Mounting Blind Rivet Nuts . . . . .	16-259
16-2.	M1079 Interior Field Telephone Binding Post Wire Numbers . . . . .	16-315
16-3.	M1079 24 VDC Binding Post Wire Numbers . . . . .	16-326
16-4.	M1079 110 VAC Outlet Box Location and Wire Numbers . . . . .	16-339
16-5.	M1079 Blackout Switch Location and Wire Numbers . . . . .	16-368
16-6.	M1079 Blackout/Emergency Light Locations and Connectors . . . . .	16-372
16-7.	M1079 Clearance and Marker Lights Location and Connectors . . . . .	16-388
16-8.	M1079 Circuit Breakers and Wire Numbers . . . . .	16-418
16-9.	M1079 Connector J173 Pin Letters and Wire Numbers . . . . .	16-474
17-1.	11K Self-Recovery Winch (SRW) Hydraulic Hose Locations . . . . .	17-29
19-1.	Air Transportability Hydraulic Hose Locations . . . . .	19-54
23-1.	Primary Air Supply Hose Locations . . . . .	23-3
23-2.	Central Tire Inflation System (CTIS) Air Hose Locations . . . . .	23-5
23-3.	Air Transportability Air Hose Locations . . . . .	23-9
E-1.	Pneumatic Tube Lengths . . . . .	E-13
E-2.	Non-Metallic Electrical Cable Conduit Lengths . . . . .	E-15
F-1.	Dry Torque Limits for SAE and ANSI Screws and Free Spinning Nuts . . . . .	F-2
F-2.	Dry Torque Limits for SAE and ANSI Prevailing Torque Nuts . . . . .	F-4
F-3.	Dry Torque Limits for Metric Screws and Free Spinning Nuts . . . . .	F-5
F-4.	Dry Torque Limits for Metric Prevailing Torque Nuts . . . . .	F-6
F-5.	Wet Torque Limits for SAE and ANSI Screws and Free Spinning Nuts . . . . .	F-7

**HOW TO USE THIS MANUAL**

**OVERVIEW**

This technical manual (TM) is provided to help you maintain the LMTV at the Unit Maintenance level. Because of its size, it is divided into five volumes. Volume 4 contains the following major sections in order of appearance:

## OVERVIEW (CONT)

- **WARNING SUMMARY.** Provides a summary of the most important warnings that apply throughout the manual.
- **CHAPTER 16, BODY AND CAB MAINTENANCE**
- **CHAPTER 17, 11K SELF-RECOVERY WINCH MAINTENANCE**
- **CHAPTER 18, BODY, CHASSIS, AND ACCESSORY ITEMS MAINTENANCE**
- **CHAPTER 19, HYDRAULIC SYSTEM MAINTENANCE**
- **APPENDIX A, REFERENCES.** Lists publications used with the LMTV.
- **APPENDIX B, MAINTENANCE ALLOCATION CHART.** The maintenance allocation chart denotes the level of maintenance which performs specific maintenance tasks and the time required. It also lists tools and special tools required for each task.
- **APPENDIX C, TOOLS IDENTIFICATION LIST.** Lists equipment used in the performance of maintenance and references publications which contain information regarding the equipment.
- **APPENDIX D, EXPENDABLE/DURABLE SUPPLIES AND MATERIALS LIST.** Lists expendable and durable items used in the performance of maintenance.
- **APPENDIX E, ILLUSTRATED LIST OF MANUFACTURED ITEMS.** Illustrates and describes items that must be fabricated from bulk materials for repair of the LMTV.
- **APPENDIX F, TORQUE LIMITS.** Lists the standard torque values for specific attaching hardware.
- **APPENDIX G, MANDATORY REPLACEMENT PARTS.**
- **APPENDIX H, LUBRICATION ORDER.**
- **APPENDIX J, ADDITIONAL AUTHORIZATION LIST (AAL).**
- **APPENDIX K, TRANSMISSION/TRANSMISSION CONTROLS ADAPTABILITY CHART.**
- **SUBJECT INDEX.** Lists important subjects contained in volume 4 in alphabetical order and gives the associated paragraph number.

## FINDING INFORMATION

There are several ways to find the information you need in this manual. They are as follows:

- **FRONT COVER INDEX.** The front cover index contains a list of the most important topics contained in each volume. It features a black box at the right edge of the cover which corresponds with a black box on the page containing the topic. The topics listed on the front cover are highlighted in the table of contents with a box.
- **TABLE OF CONTENTS.** Lists chapters, sections, appendixes, and indexes with page numbers in order of appearance.

- **CHAPTER INDEXES.** List paragraphs contained in the individual chapters with paragraph and page numbers in order of appearance.
- **SYMPTOM INDEX.** Lists malfunctions contained in the troubleshooting table with page numbers in order of appearance.

## TROUBLESHOOTING

Troubleshooting is contained in chapter 2. When a malfunction occurs, look at the symptom index for the vehicle troubleshooting table in chapter 2. Find the malfunction in the index. Turn to the page number listed for the malfunction in the troubleshooting table. Perform the steps required to correct the malfunction. If you can't find the malfunction, or the malfunction is not corrected, notify your supervisor.

## TROUBLESHOOTING (CONT)

- **SCHEDULED MAINTENANCE.** Your scheduled maintenance is located in Volume 1, table 2-1, PMCS. These checks and services are mandatory at the intervals listed. Always follow the **WARNINGS** and **CAUTIONS**.
- **UNSCHEDULED MAINTENANCE.** Unscheduled maintenance is located in chapters 3 through 22. The PMCS and troubleshooting tables often reference you to these procedures. When you perform maintenance, look over the entire procedure before starting. Make sure you have the necessary tools and materials at hand. Always follow the **WARNINGS** and **CAUTIONS**.

### FOLLOW THESE GUIDELINES WHEN USING THIS MANUAL:

- Become familiar with the entire maintenance procedure before beginning a maintenance task.
- Read all **WARNINGS** and **CAUTIONS** before performing any procedures.





# CHAPTER 16 BODY AND CAB MAINTENANCE

## RESTRICTED MAINTENANCE NOTICE

Units not authorized SC 4910-95-CL-A72 (SHOP EQUIPMENT, COMMON NO. 2) in their T.O.E. may be unable to perform some of the maintenance tasks described in this chapter. If the required tools are not authorized, the equipment must be submitted to DS Maintenance for repair.

Section I. INTRODUCTION .....	16-2
16-1. INTRODUCTION .....	16-2
Section II. MAINTENANCE PROCEDURES .....	16-3
16-2. POWER DISTRIBUTION PANEL (PDP) COVER AND LATCH REPLACEMENT/ ADJUSTMENT .....	16-3
16-3. KICK PANEL REPLACEMENT .....	16-6
16-4. M1081 CAB ROOF REPLACEMENT .....	16-8
16-5. DOOR REPAIR/ADJUSTMENT (ALL MODELS EXCEPT M1081) .....	16-16
16-6. M1081 DOOR REPAIR/ADJUSTMENT .....	16-39
16-7. REAR CAB SUPPORT ASSEMBLY REPLACEMENT .....	16-61
16-8. CAB LEVELING VALVE AND LINKAGE REPLACEMENT/ADJUSTMENT .....	16-65
16-9. AIR SPRING AND BRACKET REPLACEMENT .....	16-69
16-10. FENDER AND SPLASH GUARD REPLACEMENT .....	16-80
16-11. CAB STEP REPLACEMENT .....	16-98
16-12. CAB FLOOR COVERING AND DOOR SEAL REPLACEMENT .....	16-101
16-13. CAB PANEL LINERS REPLACEMENT .....	16-105
16-14. SEATS REPLACEMENT/REPAIR .....	16-108
16-15. SEAT BELT REPLACEMENT .....	16-112
16-16. TOOL BOX REPLACEMENT/REPAIR .....	16-116
16-17. CAB STORAGE BOX REPLACEMENT/REPAIR .....	16-122
16-18. PANEL STOWAGE DOOR ASSEMBLY REPAIR .....	16-126
16-19. M1079 VAN BODY REPLACEMENT .....	16-129
16-20. M1079 UPPER SUB-FRAME REPLACEMENT .....	16-135
16-21. M1079 LOWER SPREADER BAR REPLACEMENT .....	16-139
16-22. M1079 POD DOOR AND PANELS REPLACEMENT .....	16-142
16-23. M1079 POD FRAME REPLACEMENT/REPAIR .....	16-152
16-24. M1079 SLING SPREADER AND GUIDES REPLACEMENT .....	16-160
16-25. M1079 LIFT CASTING REPLACEMENT .....	16-165
16-26. M1079 SLING BEARING ANGLE REPLACEMENT .....	16-168
16-27. M1079 ROOF BAIL HANDLE REPLACEMENT .....	16-169
16-28. M1079 FOLDING STEP REPLACEMENT .....	16-170
16-29. M1079 RUBBER BUMPER AND TEE LATCH REPLACEMENT .....	16-171
16-30. M1079 DOOR SEAL, RETAINER, AND LATCH STRIKER REPLACEMENT .....	16-173
16-31. M1079 HEATER AND AIR CONDITIONER COVER REPLACEMENT .....	16-176
16-32. M1079 VENT COVER REPLACEMENT .....	16-178
16-33. M1079 AIR FILTER REPLACEMENT .....	16-182
16-34. M1079 LADDER, MOUNTING BRACKET, AND STOWAGE BRACKET REPLACEMENT/REPAIR .....	16-184
16-35. M1079 RH DOOR ASSEMBLY REPLACEMENT/REPAIR .....	16-190
16-36. M1079 LH DOOR ASSEMBLY REPLACEMENT/REPAIR .....	16-213
16-37. M1079 BLACKOUT SHIELD AND FRAME REPLACEMENT/REPAIR .....	16-226
16-38. M1079 WINDOW LATCH AND PROP REPLACEMENT .....	16-233
16-39. M1079 WINDOW SASH ASSEMBLY REPLACEMENT/REPAIR .....	16-236
16-40. M1079 WINDOW MAIN FRAME REPLACEMENT .....	16-245

16-41.	M1079 WINDOW COVER REPLACEMENT .....	16-249
16-42.	M1079 TAPPING PLATE REPLACEMENT .....	16-251
16-43.	M1079 VAN BODY FLOOR TAPPING PLATE INITIAL INSTALLATION (SERIAL NUMBERS 001 THROUGH 190) .....	16-253
16-44.	M1079 VAN BODY INTERIOR ACCESSORY MOUNTING LOCATIONS .....	16-260
16-45.	M1079 RACEWAY COVER REPLACEMENT .....	16-270
16-46.	M1079 RACEWAY REPLACEMENT .....	16-271
16-47.	M1079 AIR CONDITIONER ECU CONNECTOR REPLACEMENT .....	16-289
16-48.	M1079 HEATER THERMOSTAT CONNECTOR REPLACEMENT .....	16-295
16-49.	M1079 HEATER CONNECTOR REPLACEMENT .....	16-299
16-50.	M1079 INTERIOR LIGHTS SWITCH/BOX AND CONDUIT REPLACEMENT .....	16-303
16-51.	M1079 FIELD TELEPHONE BINDING POST/BOX AND CONDUIT REPLACEMENT .....	16-313
16-52.	M1079 24 VDC BINDING POST/BOX AND CONDUIT REPLACEMENT .....	16-327
16-53.	M1079 110 VAC OUTLET/BOX AND CONDUIT REPLACEMENT .....	16-340
16-54.	M1079 FAN SWITCH/BOX AND CONDUIT REPLACEMENT .....	16-349
16-55.	M1079 DOOR AJAR SWITCH AND CONDUIT REPLACEMENT .....	16-357
16-56.	M1079 BLACKOUT OVERRIDE SWITCH REPLACEMENT .....	16-364
16-57.	M1079 BLACKOUT SWITCH REPLACEMENT .....	16-369
16-58.	M1079 BLACKOUT/EMERGENCY LIGHT REPLACEMENT .....	16-373
16-59.	M1079 LIGHTING FIXTURE AND CONDUIT REPLACEMENT .....	16-377
16-60.	M1079 CLEARANCE AND MARKER LIGHTS REPLACEMENT .....	16-389
16-61.	M1079 5/20 AMP DC CIRCUIT BREAKER REPLACEMENT .....	16-393
16-62.	M1079 110 VAC AND 24 VDC RELAY REPLACEMENT .....	16-397
16-63.	M1079 RELAY BOX ASSEMBLY REPLACEMENT/REPAIR .....	16-399
16-64.	M1079 15/20/30 AND 50 AMP AC CIRCUIT BREAKER REPLACEMENT .....	16-419
16-65.	M1079 200 AMP AC CIRCUIT BREAKER REPLACEMENT .....	16-422
16-66.	M1079 110/208 VAC POWER DISTRIBUTION PANEL REPLACEMENT .....	16-425
16-67.	M1079 FAN ASSEMBLY REPLACEMENT/REPAIR .....	16-439
16-68.	M1079 110/208 VAC POWER IN/OUT CABLE REPLACEMENT .....	16-449
16-69.	M1079 CHASSIS GROUND LUG REPLACEMENT .....	16-464
16-70.	M1079 110/208 VAC POWER ENTRY PANEL AND CONDUIT REPLACEMENT .....	16-468
16-71.	M1079 12/24 VDC POWER ENTRY CONNECTOR REPLACEMENT .....	16-474
16-72.	M1079 12/24 VDC POWER ENTRY PANEL AND CONDUIT REPLACEMENT .....	16-479
16-73.	M1079 VAN PREPARATION FOR AIR TRANSPORT .....	16-484
16-74.	LATCH AND CAB ANCHOR BRACKETS REPLACEMENT .....	16-487
16-75.	ROOF HATCH REPLACEMENT (ALL MODELS EXCEPT M1081) .....	16-492
16-76.	BOARDING HANDLES REPLACEMENT .....	16-494

## Section I. INTRODUCTION

### 16-1. INTRODUCTION

This chapter contains maintenance instructions for replacing, repairing, and adjusting cab and body components authorized by the Maintenance Allocation Chart (MAC) at the Unit Maintenance level.

## Section II. MAINTENANCE PROCEDURES

### 16-2. POWER DISTRIBUTION PANEL (PDP) COVER AND LATCH REPLACEMENT/ ADJUSTMENT

**This task covers:**

- a. Removal
- b. Installation
- c. Latch Adjustment

**INITIAL SETUP**

**Equipment Conditions**

Engine shut down (TM 9-2320-365-10).

**Tools and Special Tools**

Tool Kit, Genl Mech (Item 44, Appendix C)  
 Goggles, Industrial (Item 15, Appendix C)  
 Drill, Portable, Electric (Item 7, Appendix C)

**Tools and Special Tools (Cont)**

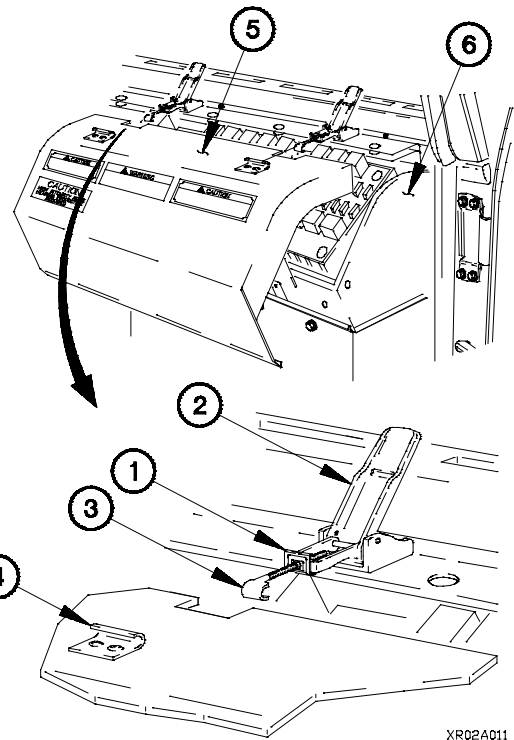
Drill Set, Twist (Item 6, Appendix C)  
 Tool Kit, Blind Rivet (Item 43, Appendix C)

**Material/Parts**

Rivet, Blind (4) (Item 221, Appendix G)

**a. Removal.**

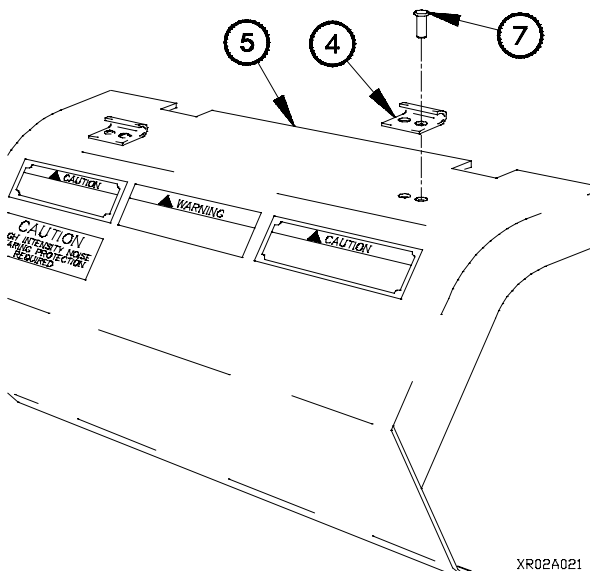
- (1) Pull two spring catches (1) and lift two latch levers (2).
- (2) Release two latch hooks (3) from two strike plates (4).
- (3) Remove PDP cover (5) from dashboard (6).



XR02A011

**WARNING**

**Wear appropriate eye protection when removing rivets. Failure to comply may result in injury to personnel.**

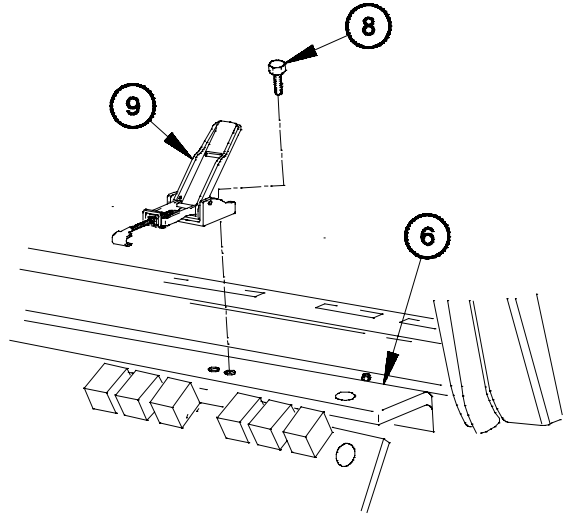


XR02A021

- (4) Remove four rivets (7) and two strike plates (4) from PDP cover (5).

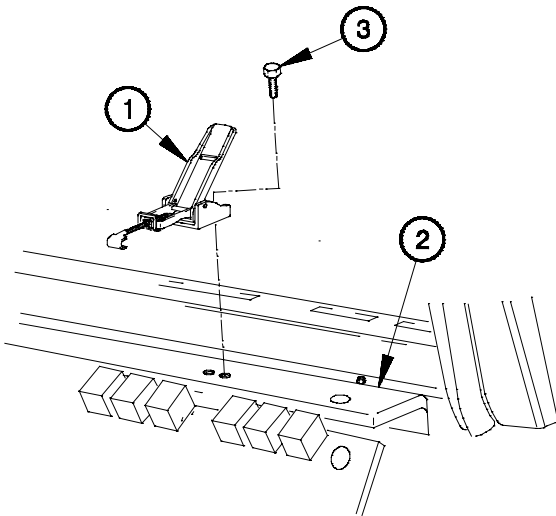
**16-2. POWER DISTRIBUTION PANEL (PDP) COVER AND LATCH REPLACEMENT/ ADJUSTMENT (CONT)**

(5) Remove four screws (8) and two latches (9) from dashboard (6).



XR02A031

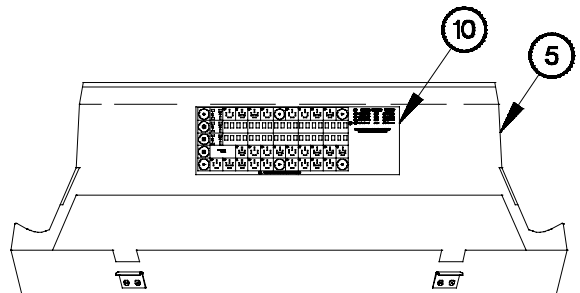
**b. Installation.**



XR02B011

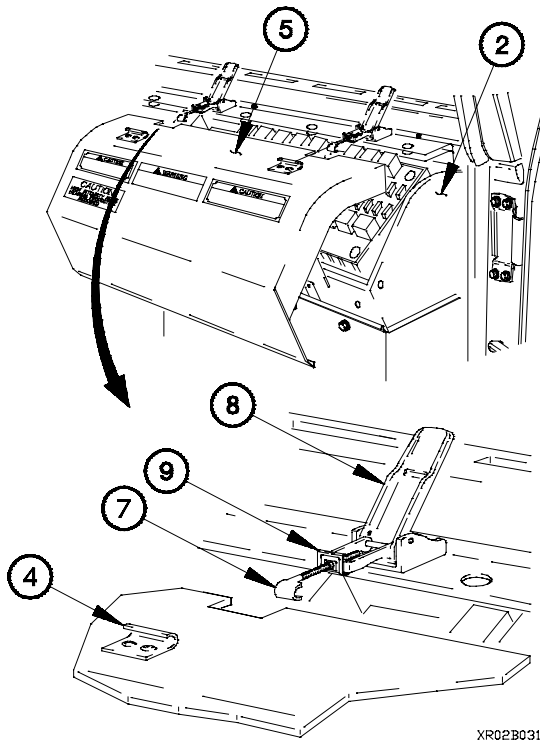
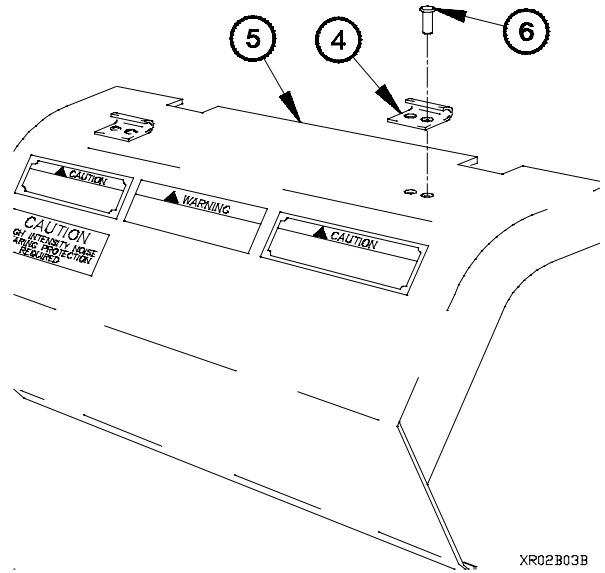
(1) Install two latches (1) on dashboard (2) with four screws (3).

(1.1) Install PDP decal (10) on PDP cover (5).



XR02B02B

- (2) Install two strike plates (4) on PDP cover (5) with four rivets (6).



- (3) Position PDP cover (5) on dashboard (2).  
 (4) Fasten two latch hooks (7) on two strike plates (4).

**NOTE**

PDP cover should be drawn tight against dashboard and some resistance should be felt when closing latches. If PDP cover is loose on dashboard after performing step (5), perform latch adjustment.

- (5) Push down on two latch levers (8) until spring catches (9) are engaged.

