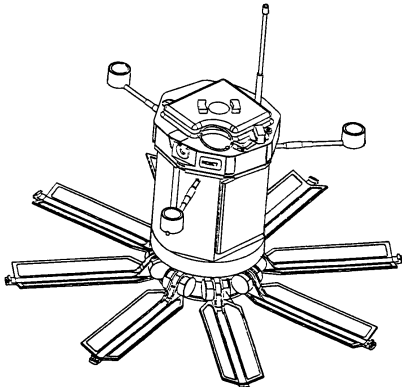


This reprint includes Changes 1 and 2.

FM 20-32



Mine/Countermine Operations

Headquarters,
Department of the Army

DISTRIBUTION RESTRICTION: Approved for public release; distribution is unlimited.

Change 2

Headquarters
Department of the Army
Washington, DC, 22 August 2001

Mine/Countermine Operations

1. Change FM 20-32, 30 September 1992, as follows:

Remove Old Pages

i through xviii
1-5 through 1-8
2-9 and 2-10
2-21 and 2-22
2-45 and 2-46
3-1 through 3-8
3-13 and 3-14
3-17 through 3-33
4-1 through 4-4
4-7 and 4-8
4-11 and 4-12
4-15
5-3 and 5-4
5-7 and 5-8
6-9 and 6-10
6-25 and 6-26
6-35 through 6-38
7-13 and 7-14
8-5 and 8-6
8-9 through 8-12
8-17 and 8-18
8-21 through 8-30
9-1 and 9-2
9-7
10-1 through 10-4
10-11 and 10-12
10-25 through 10-34
10-37 and 10-38
11-1 and 11-2
11-5 and 11-6
11-13 and 11-14
11-17 and 11-18
12-1 and 12-2
12-9 through 12-12

Insert New Pages

i through xviii
1-5 through 1-8
2-9 and 2-10
2-21 and 2-22
2-45 and 2-46
3-1 through 3-8
3-13 and 3-14
3-17 through 3-28
4-1 through 4-4
4-7 and 4-8
4-11 and 4-12
4-15
5-3 and 5-4
5-7 and 5-8
6-9 and 6-10
6-25 and 6-26
6-35 through 6-38
7-13 and 7-14
8-5 and 8-6
8-9 through 8-12
8-17 and 8-18
8-21 through 8-30
9-1 and 9-2
9-7
10-1 through 10-4
10-11 and 10-12
10-25 through 10-34
10-37 and 10-38
11-1 and 11-2
11-5 and 11-6
11-13 and 11-14
11-17 and 11-18
12-1 and 12-2
12-9 through 12-12

Remove Old Pages

12-15 and 12-16
13-1 through 13-6
13-15 and 13-16
13-21 and 13-22
13-29 through 13-33
A-11 and A-12
A-29 and A-30
A-33 and A-34
B-1 through B-6
C-1 and C-2
D-5 and D-6
D-15 and D-16
E-1 and E-2
F-3 and F-4
F-9 and F-10
F-17 and F-18
Glossary-7 through Glossary-10
References-1 and References-3
Index-1 through Index-6
DA Form 1355-1-R

Insert New Pages

12-15 and 12-16
13-1 through 13-6
13-15 and 13-16
13-21 and 13-22
13-29 through 13-33
A-11 and A-12
A-29 and A-30
A-33 and A-34
B-1 through B-5
C-1 and C-2
D-5 and D-6
D-15 and D-16
E-1 and E-2
F-3 and F-4
F-9 and F-10
F-17 and F-18
Glossary-7 through Glossary-10
References-1 and References-3
Index-1 through Index-6
DA Form 1355-1-R

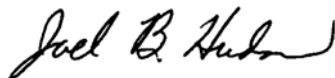
2. A bar (|) marks new or changed material.
3. File this transmittal sheet in front of the publication.
4. This change includes Change 1, 30 June 1999.

DISTRIBUTION RESTRICTION: Approved for public release; distribution is unlimited.

By Order of the Secretary of the Army:

ERIC K. SHINSEKI
General, United States Army
Chief of Staff

Official:



JOEL B. HUDSON
Administrative Assistant to the
Secretary of the Army
0121803

DISTRIBUTION:

Active Army, Army National Guard, and US Army Reserve: To be distributed in accordance with the initial distribution number 111053, requirements for FM 20-32.

Field Manual
No. 20-32

*FM 20-32
Headquarters
Department of the Army
Washington, DC, 29 May 1998

MINE/COUNTERMINE OPERATIONS

Table of Contents

	Page
LIST OF ILLUSTRATIONS	x
Figures.....	x
Tables.....	xv
PREFACE.....	xvii
CHAPTER 1. INTRODUCTION.....	1-1
MECHANICS OF MINES	1-1
Characteristics and Functioning	1-1
Components and Initiating Actions.....	1-2
ANTITANK MINES.....	1-4
Types of Kills	1-4
Types of Sensing	1-5
Types of Warheads	1-5
ANTIPERSONNEL MINES.....	1-5
Types of Kills	1-5
Types of Sensing	1-6
Types of Effects.....	1-6
ANTIHANDLING DEVICES	1-6

Part One. Mine Operations

CHAPTER 2. MINE-WARFARE PRINCIPLES.....	2-1
MINE-WARFARE CONCEPTS.....	2-1
TYPES OF MINEFIELDS.....	2-1
Protective Minefields.....	2-2
Tactical Minefields	2-3
Nuisance Minefields.....	2-4
Phony Minefields	2-4
PROTECTIVE VERSUS TACTICAL MINEFIELDS.....	2-5
TACTICAL MINEFIELDS	2-5
Minefield Variables	2-7
Design.....	2-10

DISTRIBUTION RESTRICTION: Approved for public release; distribution is unlimited.

*This manual supersedes FM 20-32, 30 September 1992.

	Page
TACTICAL-OBSTACLE INTEGRATION PRINCIPLES.....	2-14
Obstacle Emplacement Authority	2-14
Obstacle Control.....	2-14
Obstacle Control Measures.....	2-15
Fratricide Prevention.....	2-19
Maneuver-Plan Support	2-19
SITING AND EMPLACING TACTICAL MINEFIELDS	2-32
Coordinating with the Maneuver Commander	2-32
Siting the Minefield	2-37
Emplacing Minefields	2-39
Determining Resource Requirements	2-39
MINEFIELD SUPPLY OPERATIONS	2-39
Resupply Nodes.....	2-41
Resupply Rules.....	2-43
Supply Location.....	2-44
Resupply Methods.....	2-44
MINEFIELD MARKING	2-49
Criteria	2-49
Perimeter	2-50
Techniques.....	2-50
MINEFIELD TURNOVER.....	2-52
MINEFIELD INSPECTION AND MAINTENANCE.....	2-55
CHAPTER 3. SCATTERABLE MINES AND MINE DELIVERY SYSTEMS.....	3-1
GENERAL CHARACTERISTICS.....	3-1
Antipersonnel Mines.....	3-1
Antitank Mines	3-3
CAPABILITIES	3-5
Faster Response	3-5
Remote Placement.....	3-5
Increased Tactical Flexibility	3-5
Efficiency	3-5
Increased Lethality	3-5
LIMITATIONS.....	3-5
Extensive Coordination	3-5
Proliferation of Targets.....	3-6
Visibility	3-6
Accuracy.....	3-6
Orientation	3-6
LIFE CYCLE.....	3-6
LETHALITY AND DENSITY	3-7
Lethality and Tactical-Obstacle Effect	3-7
Density.....	3-8
COMMAND AND CONTROL.....	3-9
AUTHORITY	3-9
COORDINATION.....	3-10
EMPLOYMENT AND EMPLACEMENT	3-10
Area-Denial Artillery Munitions and Remote Antiarmor Mines	3-11
Gator	3-14
Volcano.....	3-17
Modular Pack Mine System.....	3-27

	Page
MARKING	3-26
Safety Zones	3-27
Fragment Hazard Zones.....	3-27
Fencing.....	3-28
CHAPTER 4. SPECIAL-PURPOSE MUNITIONS	4-1
M18A1 CLAYMORE	4-2
SELECTABLE LIGHTWEIGHT ATTACK MUNITION	4-3
Operating Modes.....	4-3
Antitamper Feature.....	4-6
M93 HORNET	4-6
Employment Considerations.....	4-7
Employment Roles.....	4-7
Tactical Emplacement.....	4-8
Recording and Marking.....	4-15
CHAPTER 5. CONVENTIONAL MINES	5-1
ANTITANK MINES	5-1
M15.....	5-1
M19.....	5-2
M21.....	5-2
ANTIPERSONNEL MINES	5-3
M14.....	5-3
M16.....	5-4
EMPLACING MINES	5-4
Mines With Prongs	5-4
Mines With Pressure Plates.....	5-4
Mines With Tilt Rods.....	5-6
Bearing Boards	5-6
Concealment	5-6
Maneuver Assistance.....	5-8
CHAPTER 6. ROW MINING	6-1
USE.....	6-1
RULES.....	6-1
LOGISTICS	6-3
Calculations	6-3
Task Organization	6-14
Site Layout.....	6-16
Mine-Laying Vehicles.....	6-18
Laying a Row Minefield.....	6-18
Immediate-Action Drill	6-24
Squad Drill.....	6-24
Marking, Recording, and Reporting Row Minefields.....	6-25
STANDARDIZED TACTICAL ROW MINEFIELDS	6-25
Disrupt and Fix.....	6-28
Turn.....	6-29
Block.....	6-31
HASTY PROTECTIVE ROW MINEFIELDS	6-33
Rules.....	6-34
Site Layout.....	6-34

	Page
CHAPTER 7. STANDARD-PATTERN MINEFIELDS	7-1
COMPONENTS	7-1
Mine Strips	7-1
Mine Clusters	7-1
Rules for Positioning Clusters Within a Strip	7-2
Standard-Pattern Minefield Rules	7-4
LOGISTICAL CALCULATIONS	7-9
Cluster Calculation	7-9
Platoon Organization	7-10
Mine-Emplacement Procedures	7-11
Mine Emplacement	7-13
NUISANCE MINEFIELDS	7-17
Siting	7-17
Location	7-17
Laying	7-18
Inspection and Maintenance	7-18
Handover	7-19
CHAPTER 8. REPORTING AND RECORDING.....	8-1
MINEFIELD/MUNITION FIELD REPORTS	8-1
Report of Intention	8-1
Report of Initiation	8-1
Report of Completion	8-2
Report of Transfer	8-2
Report of Change	8-3
Progress Reports	8-3
MINEFIELD/MUNITION FIELD RECORDS	8-3
Minefield Record	8-4
Hasty Protective Row Minefield Record	8-17
Nuisance Minefield	8-20
SCATTERABLE MINEFIELD/MUNITION FIELD REPORTING AND RECORDING	8-20
MINEFIELD/MUNITION FIELD OVERLAY SYMBOLS	8-25

Part Two. Counteroperations

CHAPTER 9. COUNTERMINE OPERATIONS	9-1
DEFINITIONS	9-1
Obstacle	9-1
Reduction	9-1
Breaching	9-1
Area Clearance	9-1
Route Clearance	9-1
Mine Neutralization	9-1
Proofing	9-2
Demining	9-2
BREACHING OPERATIONS	9-2
Intelligence	9-2
Fundamentals	9-4
Organization	9-4
Mass	9-5
Synchronization	9-5

	Page
CLEARING OPERATIONS.....	9-6
Upgrade of Breach Lanes.....	9-6
Area Clearance.....	9-7
Demining.....	9-7
CHAPTER 10. MINEFIELD REDUCTION.....	10-1
DETECTING.....	10-1
Visual.....	10-1
Physical.....	10-2
Electronic.....	10-3
Mechanical.....	10-6
REPORTING.....	10-7
REDUCING.....	10-7
Explosive.....	10-7
Mechanical.....	10-14
Electronic.....	10-22
Manual.....	10-22
PROOFING.....	10-24
MARKING.....	10-24
Lane-Marking Terms.....	10-25
Levels of Lane Marking and Patterns.....	10-27
Commander's Guidance for Lane Marking.....	10-33
Lane-Marking Devices.....	10-34
Marking Requirements of the North Atlantic Treaty Organization.....	10-36
CHAPTER 11. ROUTE AND AREA CLEARANCE.....	11-1
ROUTE CLEARANCE.....	11-1
Planning.....	11-1
Planning Considerations.....	11-3
Task Organization.....	11-7
Methods and Types.....	11-10
AREA CLEARANCE.....	11-15
Planning.....	11-15
Planning Considerations.....	11-16
Task Organization.....	11-17
Methods and Types.....	11-17
IMPROVISED MINE THREAT.....	11-18
MINE LOCATIONS.....	11-19
DISPOSITION OF MINES.....	11-19
Mine-Removal Techniques.....	11-20
Hand Neutralization.....	11-21
SAFETY.....	11-21
REPORTS.....	11-22
Situation Report.....	11-22
Progress Report.....	11-22
Mine Incident Report.....	11-25

Part Three. Special Mining Operations

CHAPTER 12. MINING OPERATIONS IN SPECIAL ENVIRONMENTS.....	12-1
STREAMBED AND RIVER MINING	12-1
Employment	12-1
Emplacement.....	12-2
Recovery.....	12-3
Recording.....	12-3
Safety	12-3
URBAN-TERRAIN MINING	12-6
Antipersonnel Mines.....	12-7
Conventional Antitank Mines	12-12
Scatterable Mines	12-13
Deception Measures	12-15
SPECIAL ENVIRONMENTS	12-16
Cold Regions	12-16
Jungles.....	12-17
Deserts.....	12-17
CHAPTER 13. BOOBY TRAPS AND EXPEDIENT DEVICES.....	13-1
Section I. Setting Booby Traps.....	13-1
TACTICS.....	13-2
SITING	13-4
TYPES OF TRAPS	13-4
COMPONENTS AND PRINCIPLES.....	13-5
ACTUATION METHODS	13-5
METHODS OF CONNECTION.....	13-5
Remote	13-5
Direct	13-8
PLANNING, SETTING, AND RECORDING	13-8
Timeliness.....	13-8
Orders and Briefing	13-8
Rehearsal.....	13-9
Organization and Procedure.....	13-9
Reporting and Recording	13-10
SITES	13-14
SAFETY	13-14
Section II. Clearing Booby Traps.....	13-14
INDICATIONS	13-15
DETECTION.....	13-15
CLEARING METHODS	13-15
COMBAT CLEARANCE	13-16
CLEARANCE IN SECURE AREAS.....	13-17
Policy and Planning	13-17
Control Point	13-18
Control and Size of Parties.....	13-18
Marking.....	13-18
Clearing of Open Areas.....	13-18
Clearing of Buildings	13-19
Exterior Reconnaissance and Entry.....	13-19
Search Techniques	13-19

	Page
Clearing Installations and Facilities	13-21
Clearing Obstacles.....	13-21
Clearing Secure Areas.....	13-21
CLEARANCE METHODS.....	13-22
IMPROVISED TRAPS.....	13-23
NONEXPLOSIVE TRAPS.....	13-23
Punji.....	13-23
Closing Trap.....	13-23
Spike Board.....	13-28
Venus Flytrap.....	13-28
Section III. Expedient Devices.....	13-29
AUTHORIZATION.....	13-29
EMPLOYMENT AND CONSTRUCTION TECHNIQUES.....	13-29
High-Explosive, Artillery-Shell Antitank Device.....	13-30
Platter Charge.....	13-31
Improvised Claymore.....	13-31
Grapeshot Antipersonnel Device.....	13-32
Barbwire Antipersonnel Device.....	13-32
APPENDIX A. INSTALLATION AND REMOVAL OF US MINES	
AND FIRING DEVICES.....	A-1
Section I. Antipersonnel Mines.....	A-2
M14.....	A-2
Characteristics.....	A-2
Installation.....	A-3
Removal.....	A-5
M16.....	A-6
Characteristics.....	A-6
Installation.....	A-7
Removal.....	A-10
Section II. Antitank Mines.....	A-11
M15.....	A-11
Characteristics.....	A-12
Installation Using the M624 Fuse.....	A-13
Removal Using the M624 Fuse.....	A-17
Installation Using the M603 Fuse.....	A-17
Removal Using the M603 Fuse.....	A-20
M19.....	A-21
Characteristics.....	A-22
Installation.....	A-22
Removal.....	A-24
M21.....	A-24
Characteristics.....	A-25
Installation.....	A-26
Removal.....	A-29
Section III. Firing Devices and Activators.....	A-29
M5 PRESSURE-RELEASE FIRING DEVICE (MOUSETRAP).....	A-30
Characteristics.....	A-30
Installation.....	A-31
Removal.....	A-31

	Page
M142 MULTIPURPOSE FIRING DEVICE.....	A-32
Characteristics	A-33
Arming and Disarming.....	A-33
M1 AND M2 ACTIVATORS.....	A-33
APPENDIX B. CONTROLS AND COMPONENTS OF	
SPECIAL-PURPOSE MUNITIONS	B-1
SELECTABLE LIGHTWEIGHT ATTACK MUNITION.....	B-1
M93 HORNET	B-1
APPENDIX C. THREAT MINE/COUNTERMINE OPERATIONS	C-1
MINE OPERATIONS	C-1
CHEMICAL MINES.....	C-6
COUNTERMINE OPERATIONS	C-7
Organization.....	C-7
Equipment	C-11
APPENDIX D. AIR VOLCANO	D-1
COMPONENTS	D-1
M87-Series Mine Canister.....	D-1
M139 Dispenser.....	D-2
LIMITATIONS.....	D-2
EMPLOYMENT.....	D-2
Deep Operations.....	D-3
Close Operations	D-4
Rear Operations	D-5
Minefield Effects	D-6
Planning	D-8
EMPLACEMENT	D-18
Outside Friendly Territory	D-20
Within Friendly Territory.....	D-20
REPORTING.....	D-22
Scatterable Minefield Warning	D-22
Scatterable Minefield Report and Record.....	D-22
APPENDIX E. SAFETY AND TRAINING	E-1
STORAGE.....	E-1
LIVE-MINE TRAINING	E-3
LIVE-MINE DEMONSTRATIONS	E-5
M16 Antipersonnel Mine	E-5
M18A1 Antipersonnel Munition.....	E-6
M15, M19, and M21 Antitank Mines.....	E-7
RISK ASSESSMENT FOR LIVE-MINE DEMONSTRATIONS.....	E-8
RISK ASSESSMENT FOR LIVE-MINE TRAINING.....	E-10
APPENDIX F. MINE AWARENESS.....	F-1
SOLDIER	F-1
Visual Indicators	F-1
Probing.....	F-2
AN/PSS-12 Metallic Mine Detector.....	F-3
Evacuation Drills	F-10

	Page
LEADER	F-14
Risk Management	F-14
Recording and Mine-Data Tracking	F-18
Mine-Incident Report	F-18
TRAINING	F-18
Individual Training	F-19
Leader Training	F-20
Unit Training	F-20
APPENDIX G. COUNTERMINE DATA	G-1
BREACHING ASSETS VERSUS THREAT OBSTACLES	G-1
FOREIGN MINE DATA	G-1
FOREIGN MINEFIELD EMPLACEMENT DATA	G-1
FOREIGN MINE DELIVERY SYSTEMS	G-1
APPENDIX H. METRIC CONVERSION CHART	H-1
GLOSSARY	Glossary-1
REFERENCES	References-1
INDEX	Index-1

LIST OF ILLUSTRATIONS

Figures

	Page
Figure 1-1. Mine components	1-2
Figure 1-2. Methods of actuating mines	1-3
Figure 1-3. Types of fuses	1-4
Figure 1-4. AHD incorporating a release mechanism.....	1-7
Figure 1-5. AHD not attached to the mine	1-7
Figure 1-6. Hand-emplaced US AHDs	1-8
Figure 2-1. Tactical versus protective obstacles.....	2-6
Figure 2-2. Tactical-obstacle effects.....	2-6
Figure 2-3. Minefield variables	2-7
Figure 2-4. Vehicle mine encounter probability versus minefield density	2-9
Figure 2-5. Disrupt-effect group.....	2-10
Figure 2-6. Fix-effect group	2-11
Figure 2-7. Turn-effect group	2-12
Figure 2-8. Block-effect group	2-13
Figure 2-9. Obstacle zones.....	2-16
Figure 2-10. Obstacle belts	2-17
Figure 2-11. Obstacle groups.....	2-18
Figure 2-12. TF defense COA	2-24
Figure 2-13. TF direct-fire analysis	2-25
Figure 2-14. TF obstacle-intent integration and priorities.....	2-26
Figure 2-15. Obstacle-plan refinement	2-28
Figure 2-16. Scheme-of-obstacle overlay.....	2-30
Figure 2-17. Sample obstacle-execution matrix	2-31
Figure 2-18. Minefield siting	2-38
Figure 2-19. Example of minefield resourcing	2-40
Figure 2-20. Mine resupply	2-41
Figure 2-21. Supply-point resupply method.....	2-46
Figure 2-22. Service-station resupply method.....	2-47
Figure 2-23. Tailgate resupply method.....	2-48
Figure 2-24. Minefield marking	2-51
Figure 2-25. Marking of minefields and obstacle groups.....	2-52
Figure 2-26. Sample obstacle-turnover work sheet.....	2-54
Figure 3-1. AP SCATMINES	3-2
Figure 3-2. AT SCATMINE	3-3
Figure 3-3. Emplacement of ADAMs and RAAMs	3-11
Figure 3-4. Gator SCATMINE system.....	3-15
Figure 3-5. Gator minefield	3-17
Figure 3-6. Volcano mine system	3-18
Figure 3-7. Volcano components	3-18
Figure 3-8. Volcano disrupt and fix minefields	3-21
Figure 3-9. Volcano turn and block minefields.....	3-22
Figure 3-10. MOPMS	3-22

	Page
Figure 3-11. MOPMS emplacement and safety zone.....	3-23
Figure 3-12. MOPMS in a disrupt minefield	3-25
Figure 3-13. MOPMS in a fix minefield	3-26
Figure 3-14. Ground Volcano minefield	3-27
Figure 4-2. M18A1 claymore.....	4-2
Figure 4-3. SLAM	4-3
Figure 4-4. SLAM in bottom-attack mode.....	4-4
Figure 4-5. SLAM in side-attack mode.....	4-5
Figure 4-6. SLAM in timed-demolition mode.....	4-5
Figure 4-7. SLAM in command-detonation mode	4-5
Figure 4-8. M93 Hornet.....	4-6
Figure 4-9. Hornet reinforcing a conventional minefield	4-9
Figure 4-10. Hornet reinforcing a Volcano minefield	4-10
Figure 4-11. Hornet area-disruption obstacle.....	4-11
Figure 4-12. Hornet gauntlet obstacle (one cluster)	4-12
Figure 4-13. Hornet gauntlet obstacle (platoon).....	4-13
Figure 4-14. Hornet-enhanced turn-and fix-obstacle groups	4-14
Figure 5-1. AT mines.....	5-1
Figure 5-2. AP mines.....	5-3
Figure 5-3. Prong-activated AP mine	5-5
Figure 5-4. Trip-wire-activated AP mine	5-5
Figure 5-5. Buried mine with pressure plate.....	5-6
Figure 5-6. Buried mine with tilt rod	5-7
Figure 5-7. Buried and concealed mines	5-7
Figure 6-1. Minefield requirements computation work sheet.....	6-5
Figure 6-2. Step-by-step procedures for completing the minefield requirements computation work sheet.....	6-9
Figure 6-3. Site layout.....	6-19
Figure 6-4a. Laying a minefield.....	6-20
Figure 6-4b. Laying a minefield (continued).....	6-21
Figure 6-5. Laying an IOE short row	6-21
Figure 6-6. Sample strip feeder report	6-22
Figure 6-7. Laying a row minefield	6-23
Figure 6-8. Measuring distances between mines with sandbags.....	6-25
Figure 6-9a. Sample DA Form 1355 for a row minefield (front)	6-26
Figure 6-9b. Sample DA Form 1355 for a row minefield (back)	6-27
Figure 6-10. Standardized disrupt and fix row minefields	6-28
Figure 6-11. Standardized turn row minefield	6-30
Figure 6-12. Standardized block row minefield	6-32
Figure 6-13. Site layout.....	6-35
Figure 7-1. Minefield layout.....	7-2
Figure 7-2. Cluster compositions	7-3
Figure 7-3. Arrangement of clusters in a mine strip	7-3
Figure 7-4. IOE baseline with short strips.....	7-4
Figure 7-5. Clusters on an IOE short strip	7-7
Figure 7-6. Minefield lanes and gaps	7-8
Figure 7-7. Mine-emplacement procedures.....	7-11
Figure 7-8. Laying and fusing mines.....	7-14
Figure 7-9. Lane closure.....	7-16

	Page
Figure 8-1. Conventional minefield/munition field reporting chain	8-2
Figure 8-2a. Sample DA Form 1355 (front side) for a standard-pattern minefield/munition field.....	8-5
Figure 8-2b. Sample DA Form 1355 (inside) for a standard-pattern minefield/munition field.....	8-6
Figure 8-2c. Sample DA Form 1355 (back side) for a standard-pattern minefield/munition field.....	8-7
Figure 8-3a. Sample DA Form 1355 (front side) for a Hornet minefield/munition field.....	8-12
Figure 8-3b. Sample DA Form 1355 (back side) for a Hornet minefield/munition field	8-13
Figure 8-4. Sample DA Form 1355-1-R	8-18
Figure 8-5. Hasty protective row minefield/munition field record.....	8-19
Figure 8-6a. Sample DA Form 1355 (front side) for a nuisance minefield/munition field.....	8-21
Figure 8-6b. Sample DA Form 1355 (inside) for a nuisance minefield/munition field	8-22
Figure 8-7. Scatterable minefield/munition field report and record work sheet.....	8-23
Figure 8-8. Sample SCATMINWARN.....	8-24
Figure 8-9. Scatterable minefield/munition field report and record for an ADAM/RAAM artillery mission	8-24
Figure 8-10. Sample SCATMINWARN for an artillery mission	8-25
Figure 8-11. Minefield/munition field overlay symbols	8-26
Figure 9-1. Sample OBSTINTEL report.....	9-3
Figure 10-1. AN/PSS-12 mine detector.....	10-3
Figure 10-2. ASTAMIDS.....	10-4
Figure 10-3. IVMMD components	10-5
Figure 10-4. MICLIC	10-8
Figure 10-5. AVLM	10-8
Figure 10-6. MICLIC employment in a minefield less than 100 meters deep.....	10-10
Figure 10-7. MICLIC employment in a minefield of uncertain depth or greater than 100 meters	10-10
Figure 10-8. Skip zone	10-11
Figure 10-10. APOBS.....	10-13
Figure 10-11. Bangalore torpedo.....	10-13
Figure 10-12. Skim technique	10-15
Figure 10-13. MCB.....	10-15
Figure 10-14. Mine-blade width compared to track-vehicle widths.....	10-16
Figure 10-15. MCR.....	10-17
Figure 10-16. Mine-roller width compared to track-vehicle widths.....	10-17
Figure 10-17. Panther.....	10-19
Figure 10-18. MiniFlail.....	10-20
Figure 10-19. Grizzly	10-20
Figure 10-20. CEV with mine rake	10-21
Figure 10-21. Tripod	10-23
Figure 10-22. Initial lane marking.....	10-28
Figure 10-23. Intermediate lane marking	10-30
Figure 10-24. Full lane marking	10-32
Figure 10-25. Marking devices.....	10-35
Figure 10-26. NATO standard marker	10-37
Figure 10-27. NATO lane-marking conversion	10-37
Figure 10-28. NATO standard marking for limited visibility	10-38
Figure 11-1. IBASIC	11-6