

U.S. MARINE CORPS

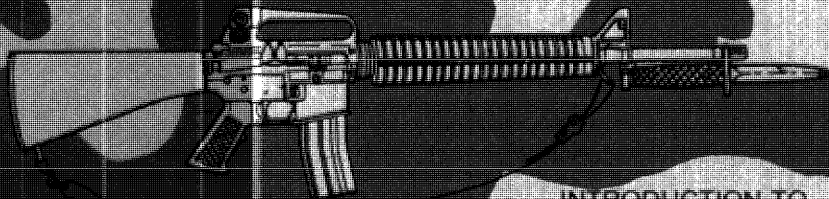
U.S. ARMY

This copy is a reprint which includes current
pages from Changes 1 through 3.

TM 05538C-10/1A

TM9-1005-319-10

**OPERATOR'S MANUAL
W/COMPONENTS LIST**



RIFLE, 5.56-MM,

M16A2 W/E

(1005-01-128-9936)

AUGUST 1986

INTRODUCTION TO YOUR WEAPON	PAGES 2-6
DISASSEMBLY	9-15
LUBRICATION	28-34
REASSEMBLY	35-40
MAGAZINE	41-42
FMCS	44-45
OPERATION	62-71
AMMUNITION	98-102

“MY RIFLE”

The creed of a United States Marine

by

Maj. Gen. W. H. Rupertus, USMC

This is my rifle. There are many like it, but this one is mine.

My rifle is my best friend. It is my life. I must master it as I must master my life.

My rifle, without me is useless. Without my rifle, I am useless. I must fire my rifle true. I must shoot straighter than my enemy who is trying to kill me. I must shoot him before he shoots me. I will...

My rifle and myself know that what counts in this war is not the rounds we fire, the noise of our burst, nor the smoke we make. We know that it is the hits that count. We will hit . . .

My rifle is human, even as I, because it is my life. Thus, I will learn it as a brother. I will learn its weaknesses, its strength, its parts, its accessories, its sights, and its barrel. I will ever guard it against the ravages of weather and damage. I will keep my rifle clean and ready, even as I am clean and ready. We will become part of each other. We will ...

Before God I swear this creed. My rifle and myself are the defenders of my country. We are the masters of our enemy. We are the saviors of my life.

So be it, until victory is America's and there is no enemy, but Peace!

U.S. ARMY

TM 9-1005-319-10
C3

CHANGE

HEADQUARTERS
DEPARTMENT OF THE ARMY

No. 3

Washington D. C. , 1 May 1994

Operator's Manual
W/COMPONENTS LIST
RIFLE, 5.56-MM,
M16A2 W/E (1005-01-128-9936)
AND
CARBINE, 5.56-MM,
M4 W/E, (1005-01-231-0973)

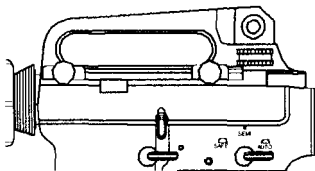
TM 9-1005-319-10, August 1986, is changed to add M4A1 Carbine to this TM. Changes are as follows:

1

Page Cover. Add "**CARBINE, 5.56-MM, M4A1, (1005-01-382-0953)**" to cover.

Page 1. **ALL WARNINGS** in this technical manual pertain to all weapons unless otherwise specified. Change the word rifle to "**weapons**", in all the warnings unless otherwise specified.

Page 2. Add the following before the first paragraph:
"When a procedure is common to the rifle and both carbines, **ONLY** the M16A2 rifle configuration will be depicted. If a procedure is not common to all weapons, the procedure will be incorporated identifying the weapon(s)."



M4A1

- The M4 and M4A1 carbine buttstock has four positions; closed, 1/2 open, 3/4 open, and full open."
- M4A1 is fully automatic.

Page 3. Add M4A1 information as follows:

Weight: 6.36 lbs

Length: Buttstock closed 29.75 inches

Buttstock open 33.0 inches

Firing characteristics:

Muzzle velocity 2970 fps

Cyclic rate of fire 700-970 rounds per min

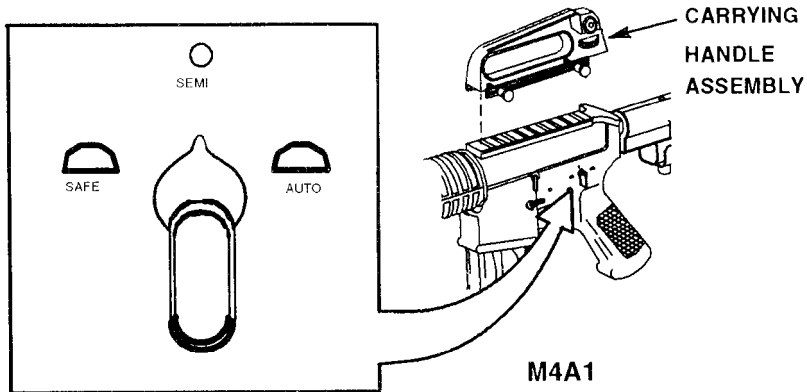
Max effective range:

500 meters (individual/point targets)

600 meters (area targets)

Page 3 (cont). Change M4 carbine weight to "3.32 Kg (7lb 5oz)".

Page 5. Add illustration of M4A1 upper receiver.



Page 6. Add the following note:

NOTE

M23 BFA is stamped "M4 Carbine Only", painted yellow and may be used on the M4 and M4A1 carbines. M15A2 BFA is painted red and used on the rifle.

Page 7. Add the following warning:

WARNING

To be considered SAFE before disassembly, cleaning, inspecting, transporting, or storing, the weapon must be cleared.

Page 11. Add the following caution:

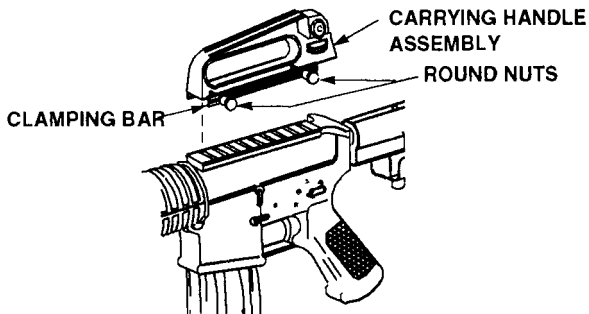
CAUTION

Only use hand pressure to disengage the pivot and takedown pins. Force other than hand pressure may cause damage to the weapon and replacement of the weapon would be required. Only push the pivot and takedown pins far enough to disengage the upper receiver from the lower receiver.

Page 12. Add the following caution and procedure after step 11.

CAUTION

Do not fully remove the round nuts from the threaded studs. The threaded studs are flared on the end to prohibit removal. However, if the nuts are inadvertently removed, they may be reinstalled.



11.1. Loosen the round nuts on the left side of the carrying handle, approximately 4 turns. Loosen the clamping bar from the left side of the upper receiver and lift off the carrying handle assembly.

6

Page 15. Add NOTE after step 21:

NOTE

The M4/M4A1 carbine has a four position buttstock; closed, 1/2 open, 3/4 open, and full open.

Page 16. Add the following:

"Wherever the term CLP or the words lube or lubricant are cited in this TM, it is to be interpreted to mean that CLP, LSA, or LAW can be utilized as applicable. DO NOT mix lubricants on the same weapon. The weapon must be thoroughly cleaned during change from one lubricant to another. Dry cleaning solvent (SD) is recommended for cleaning during change from one lubricant to another."

Page 26. Add to the NOTE:

"If CLP is not used, RBC maybe used to remove carbon within the bore. Dry cleaning solvent may be used to completely remove lubricants."

Page 28. Add "LSA - Lubricating oil, semifluid, 2 oz plastic bottle, NSN 9150-00-935-6597"

Page 29. Add lubricating procedures for M4A1 upper receiver and carrying handle as follows:

1. Apply a drop or two of lubricant to both threaded studs.
2. Lightly lube the clamping bar and both round nuts.
3. Lightly lube the mating surfaces of the carrying handle assembly and upper receiver.

Page 38. Add caution, note, reassemble procedure, and illustration after step 8:

CAUTION

Should the round nuts and the clamping bar be inadvertently removed, the clamping bar must be reinstalled on the threaded studs in a manner not to protrude past the front of the carrying handle. The round nuts should be reinstalled on the threaded studs.