

SAR Semi-Automatic Rifle

SAR 1 Cal. 7.62x39mm

SAR 2 Cal. 5.45x39mm

SAR 3 Cal. 5.56 NATO (.223)

OPERATIONAL MANUAL



Manufactured In Romania

This manual is for informational purposes only. All repairs and, or, adjustments should be made by a qualified gunsmith.

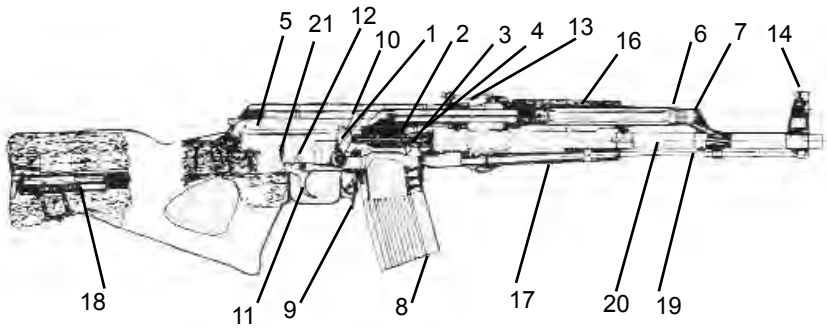
The owner of this firearm is responsible for it's safe use and storage.

Introduction

The SAR semi-automatic rifle is well made, reliable, and has several interesting features such as a hard chrome lined barrel, hard chrome plated piston, and can be completely taken down without tools.

The use of reloaded, re-manufactured, hand loaded, or other nonstandard ammunition may result in damage to the user or rifle.

The manufacturer and importer cannot accept responsibility for malfunctions resulting from the use of nonstandard defective ammunition.



Parts Identification

- | | | |
|------------------|-----------------------------|----------------------|
| 1. Hammer | 9. Magazine Catch | 18. Accessories Case |
| 2. Bolt | 10. Hammer & Trigger Spring | 19. Cleaning Rod |
| 3. Firing Pin | 11. Trigger | 20. Barrel |
| 4. Bolt Carrier | 12. Disconnecter | 21. Safety Lever |
| 5. Return Spring | 13. Rear Sight Leaf | |
| 6. Piston | 14. Front Sight | |
| 7. Gas Cylinder | 16. Hand Guard | |
| 8. Magazine | 17. Fore End | |

DISASSEMBLY AND ASSEMBLY

I. General Instructions:

The following instructions should be observed during disassembly and assembly:

1. Before the rifle is disassembled, make sure there is no round in the chamber or magazine.
2. The rifle should be disassembled on a table or bench.
3. The parts should be laid out in order of disassembly.
4. Force should not be used to remove or disassemble parts, as it may result in damage to the parts.
5. Only accessories in good condition should be used.
6. When tightening or loosening screws, hold the screwdriver firmly to prevent damage to the screw heads.

Field Stripping

NOTE: Ensure the rifle and magazine are not loaded.

1. Remove the magazine from the rifle by holding the rifle forend with the left hand, rotate the rifle a certain amount, pushing the magazine away, grasp the magazine with the right hand, and depress the magazine catch with the thumb of the right hand, rotate the magazine forward and remove it from the receiver hole (Fig 1).